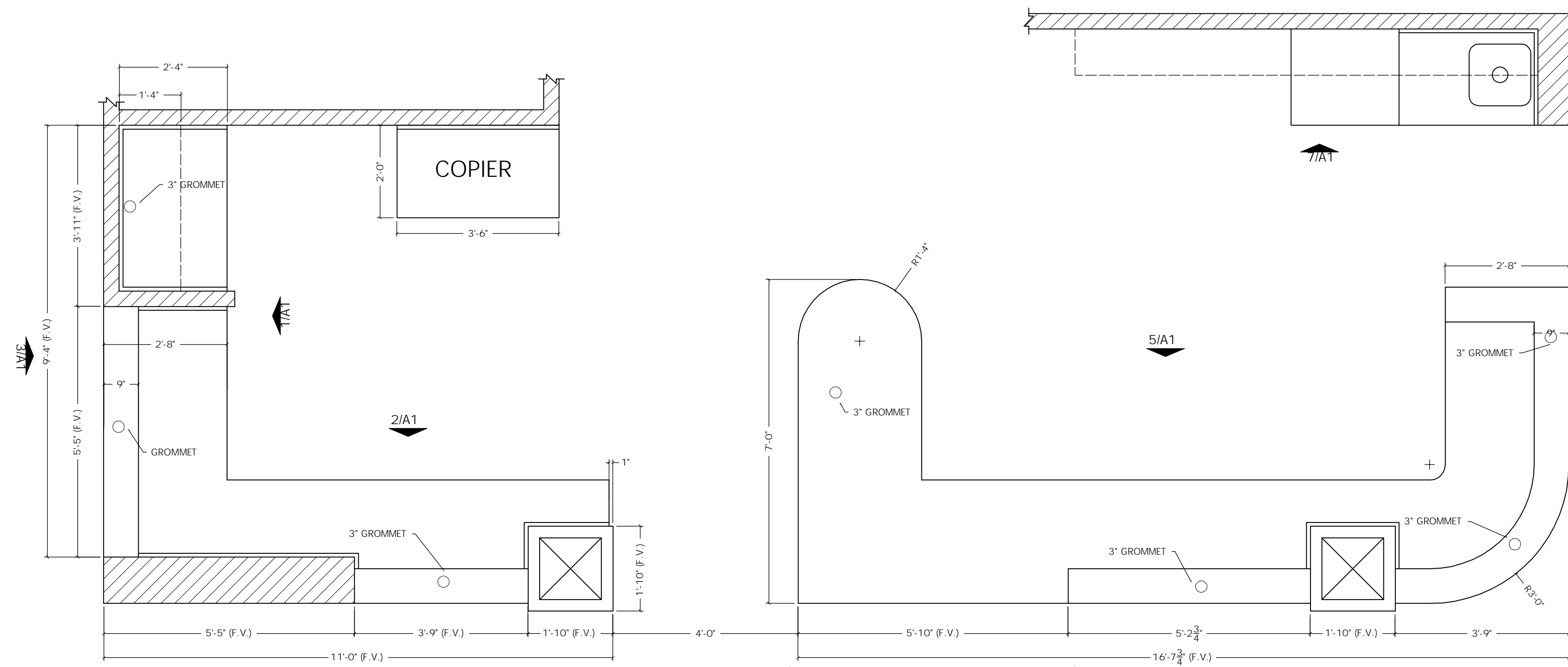


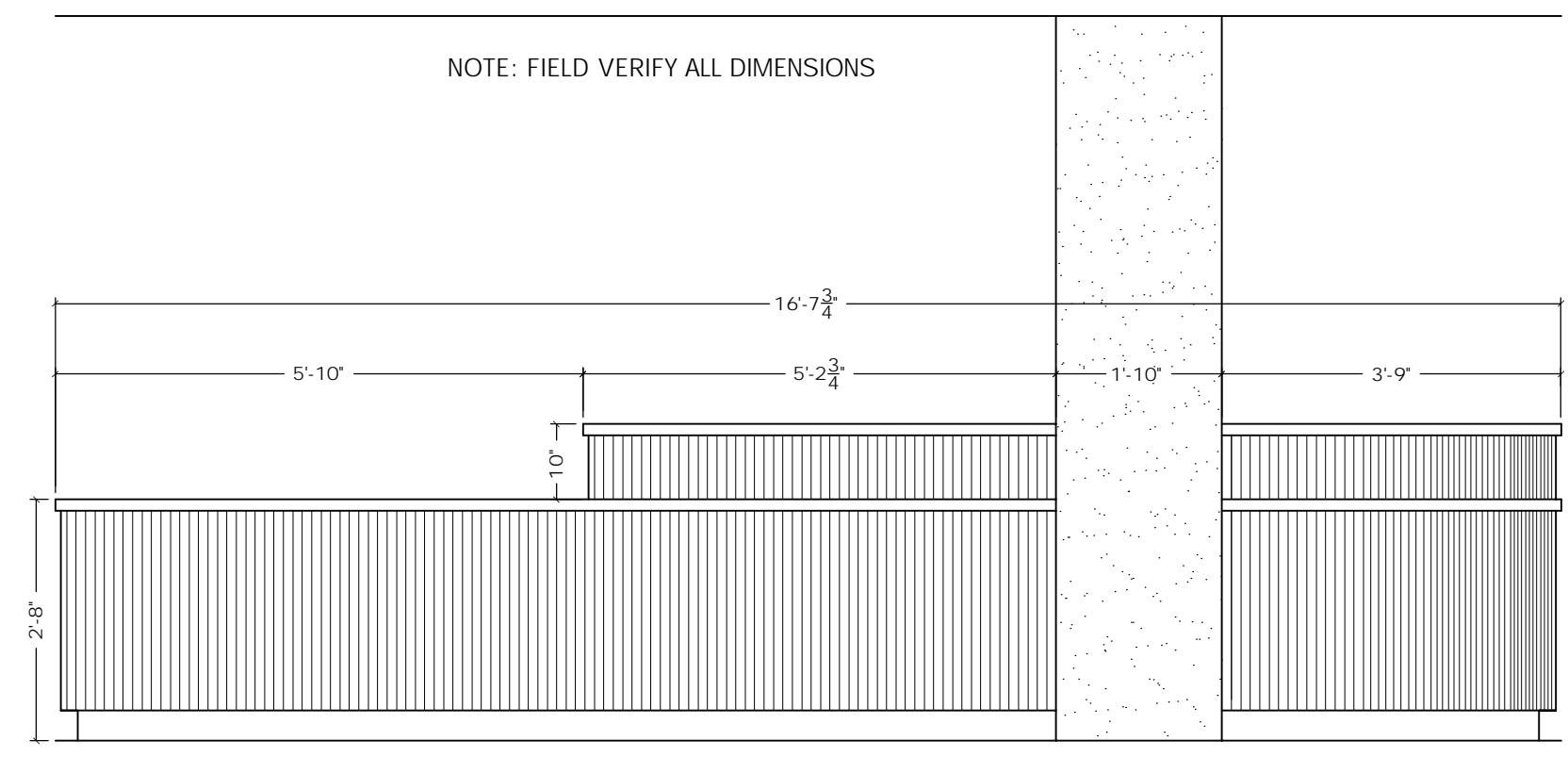
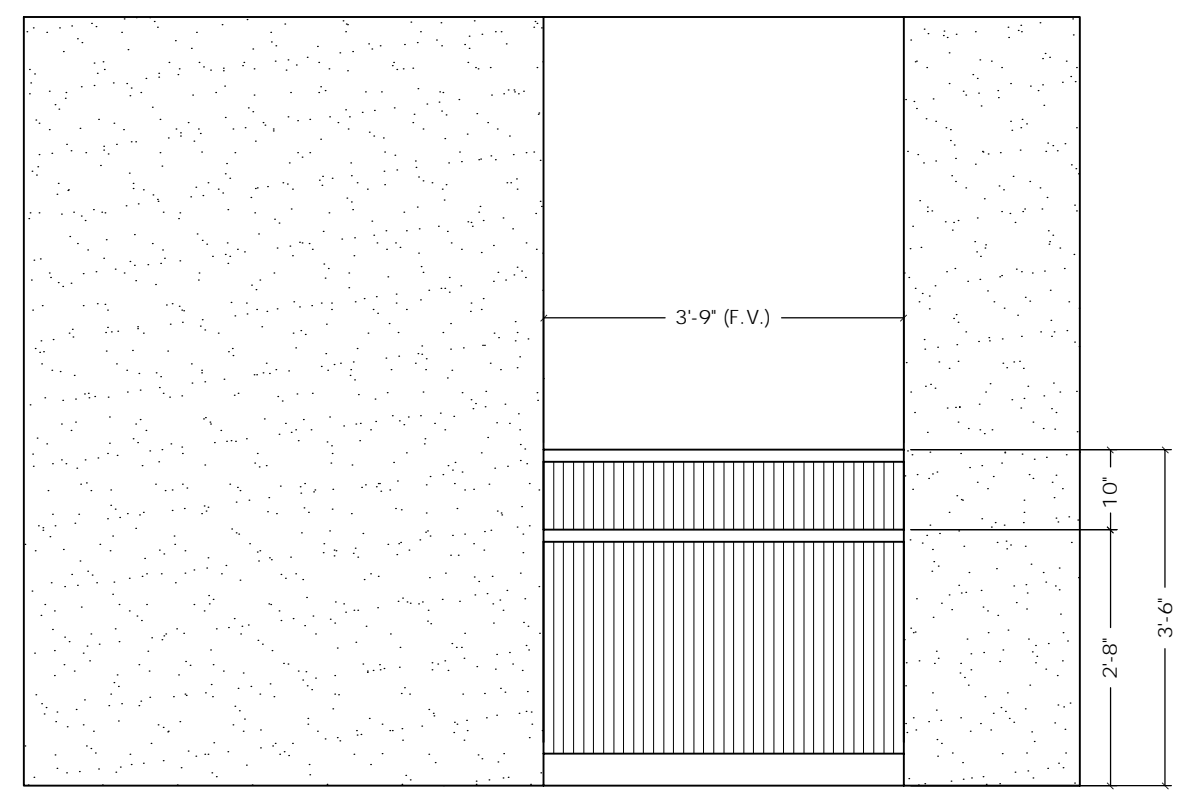
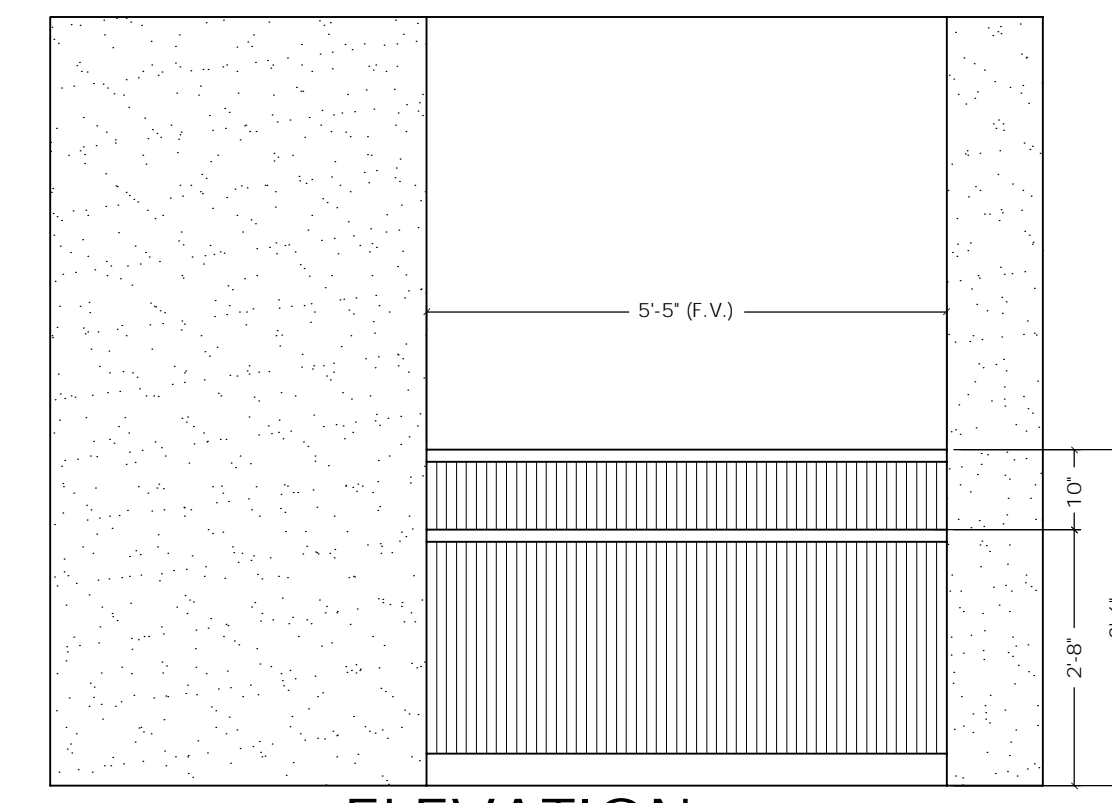
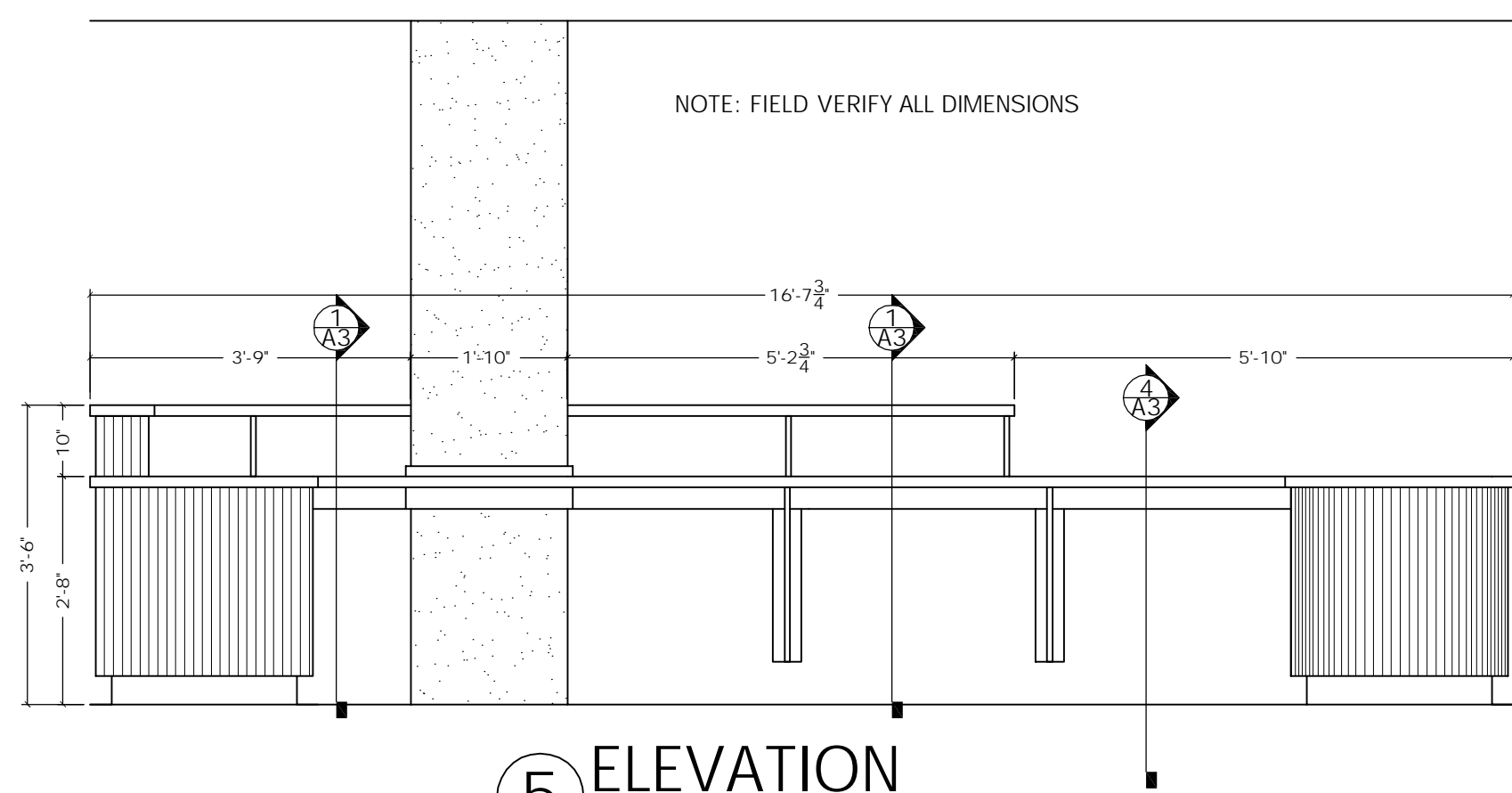
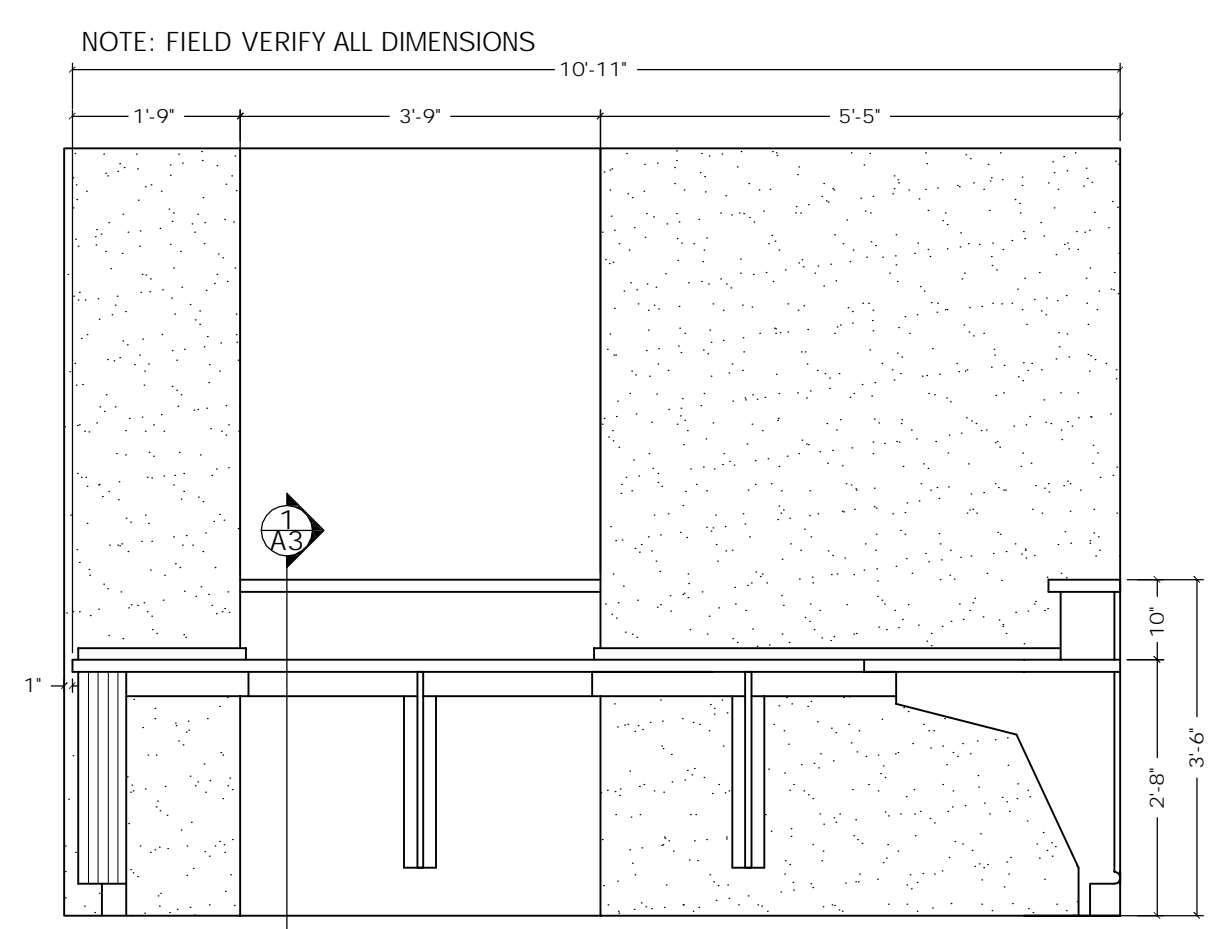
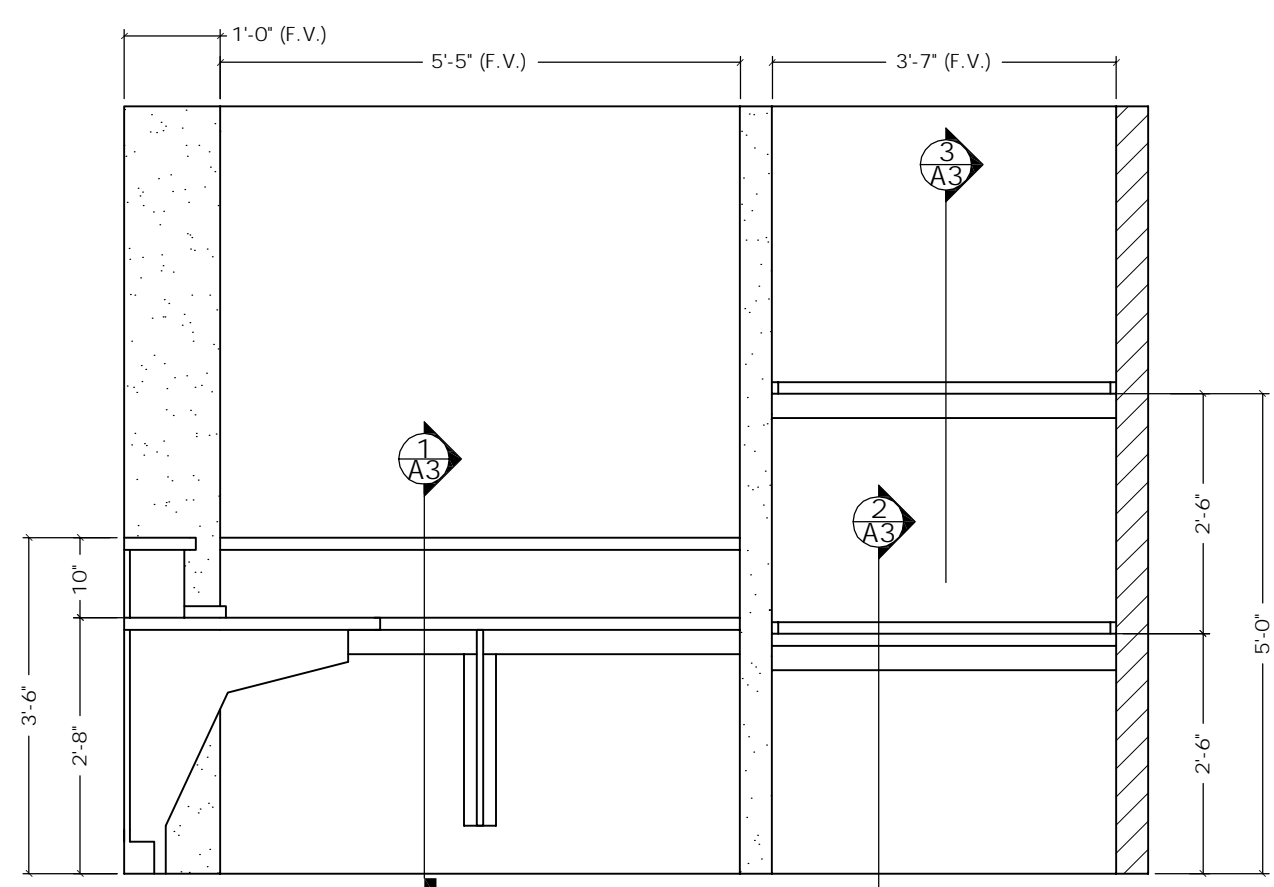
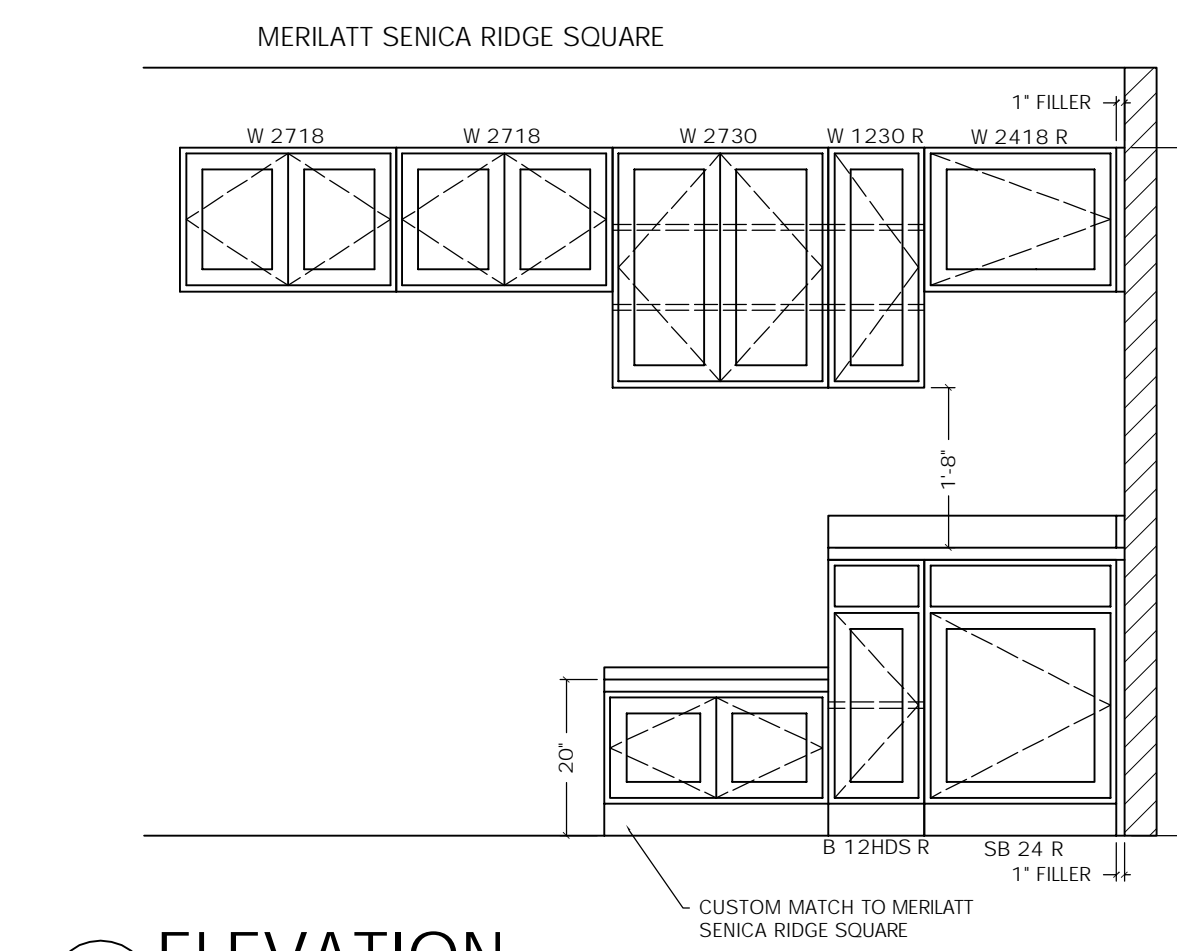
Your Logo Here

**Project Name**  
**ICU/CCU Expansion**  
City Location, State  
**CASEWORK DETAILS**

PLASTIC LAMINATE CALLOUT		
COUNTER	BRAND	COLOR
CABINETS		



PLASTIC LAMINATE CALLOUT		
COUNTER	BRAND	COLOR
CABINETS		



Your Logo Here

ARCHITECTS

CONTRACTOR

Project Name  
ICU/CCU EXPANSION

PROJECT

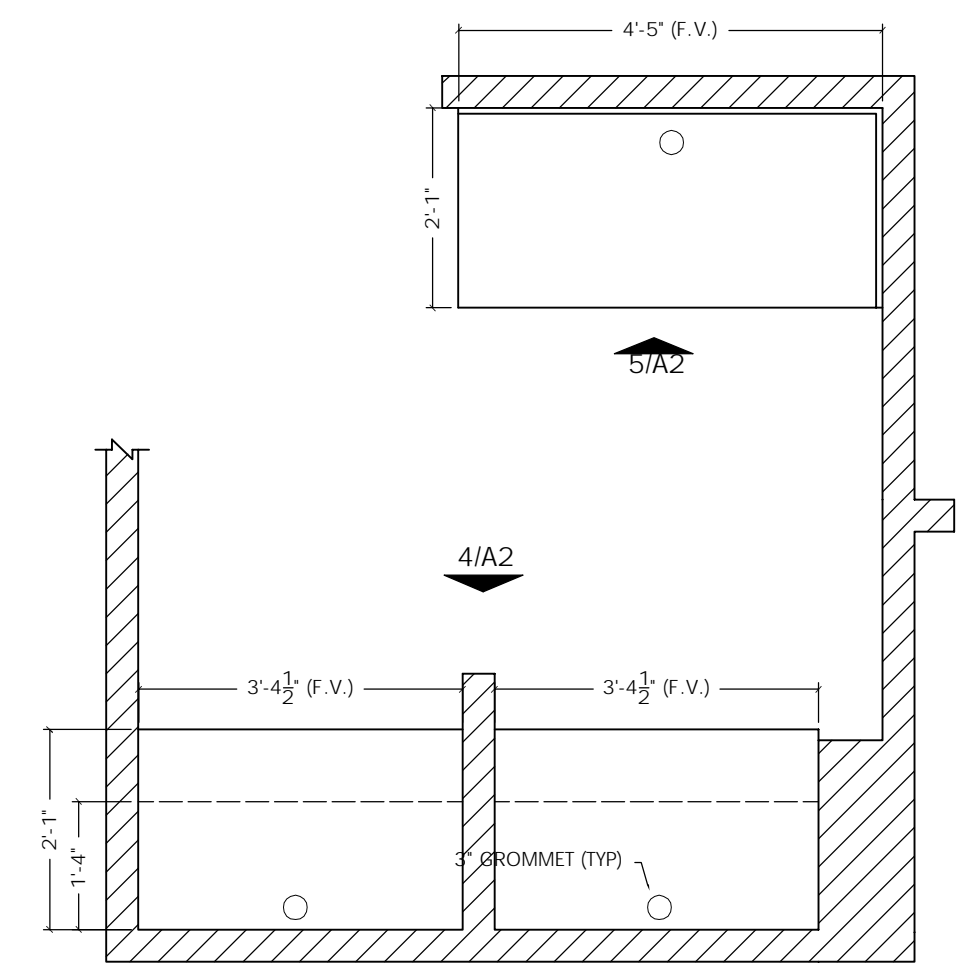
CASEWORK  
DETAILS

DATE	FILE
01/26/04	brmc.dwg

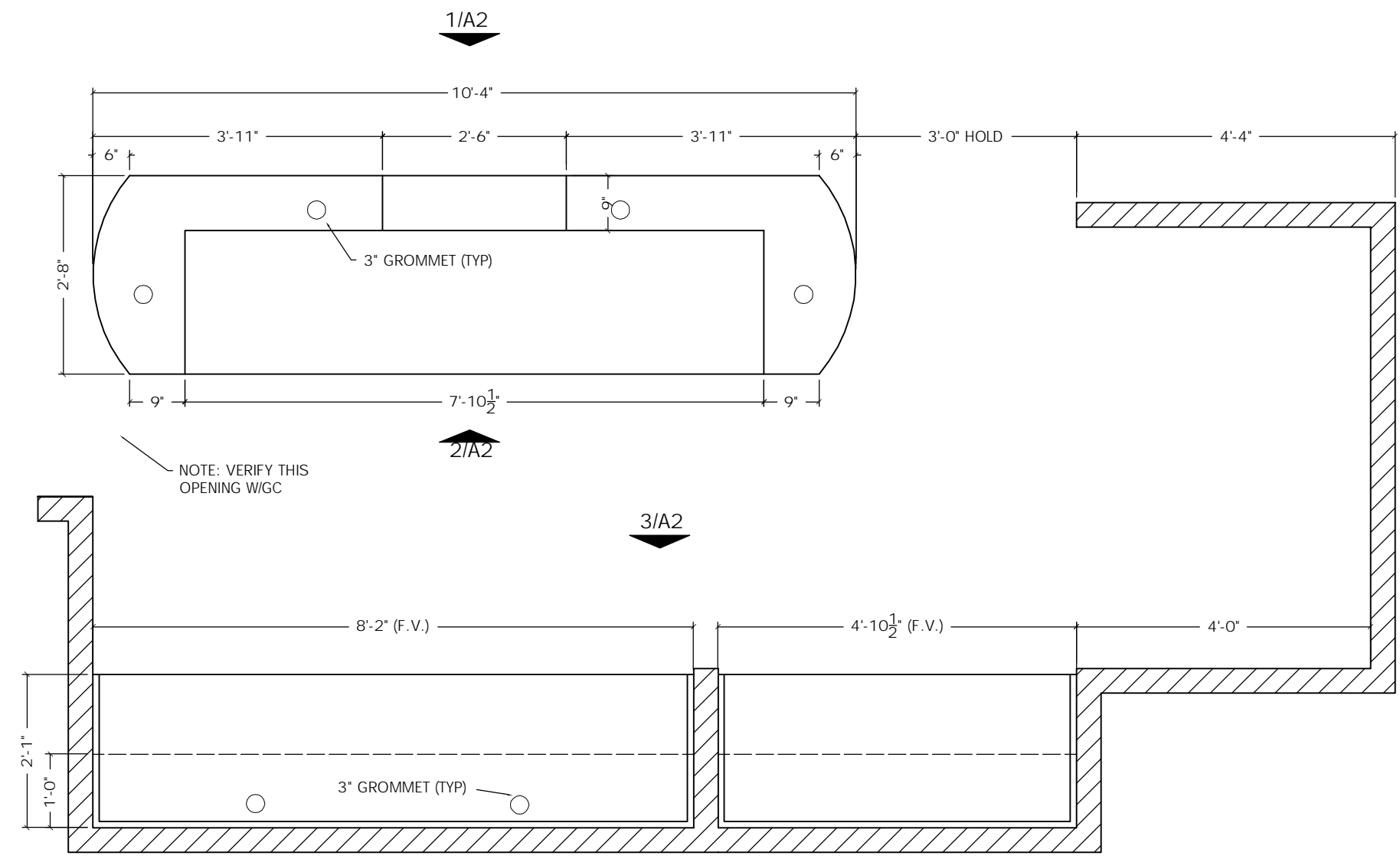
DRAWN BY

A1

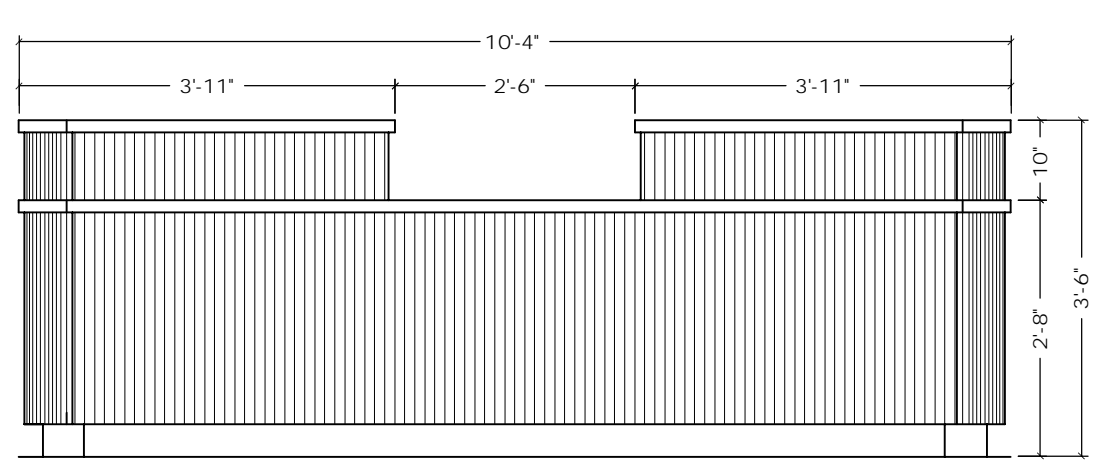
PLASTIC LAMINATE CALLOUT		
COUNTER	BRAND	COLOR
CABINETS		



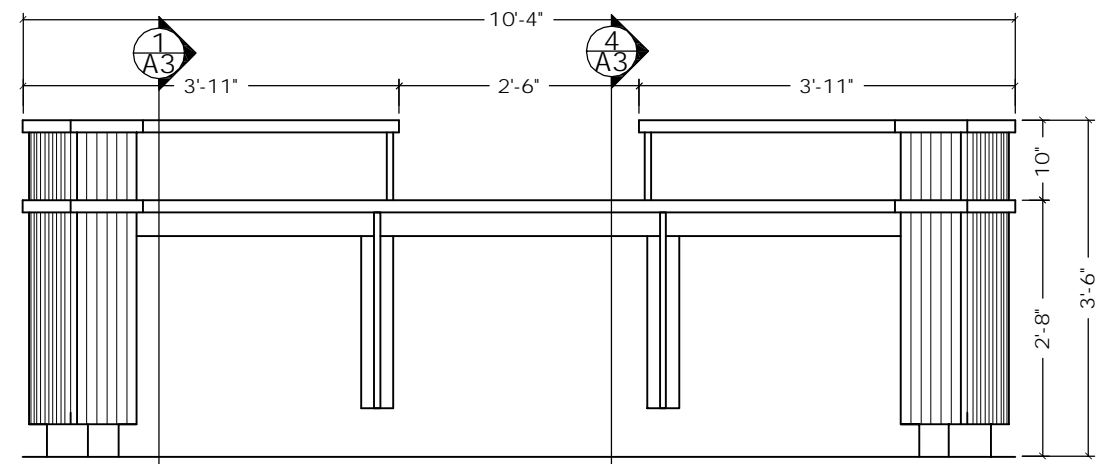
**PLAN VIEW DICTATION 302**  
SCALE: 1/2" = 1'-0"



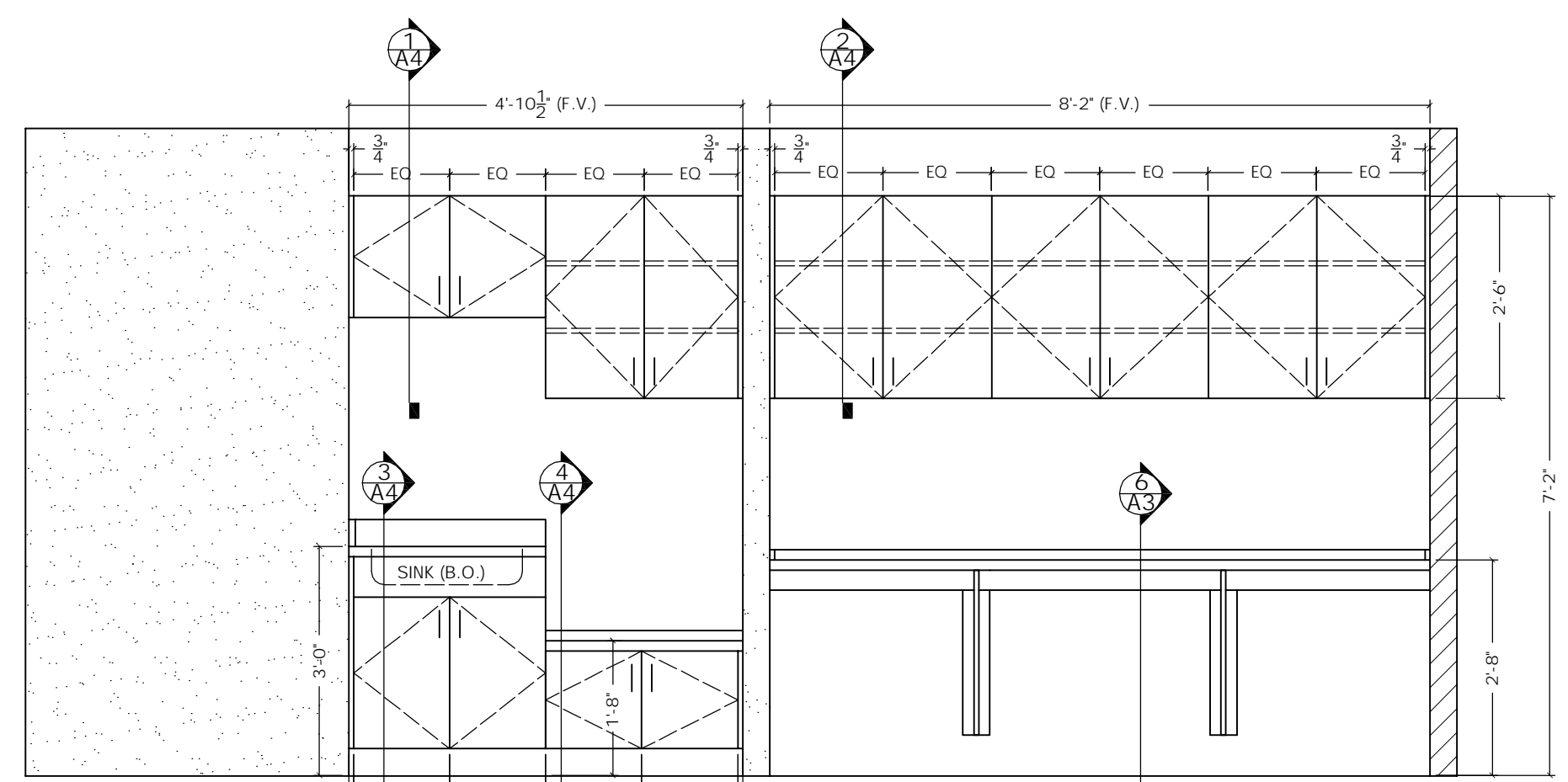
**PLAN VIEW NURSE STATION/MEDS 318/318A**  
SCALE: 1/2" = 1'-0"



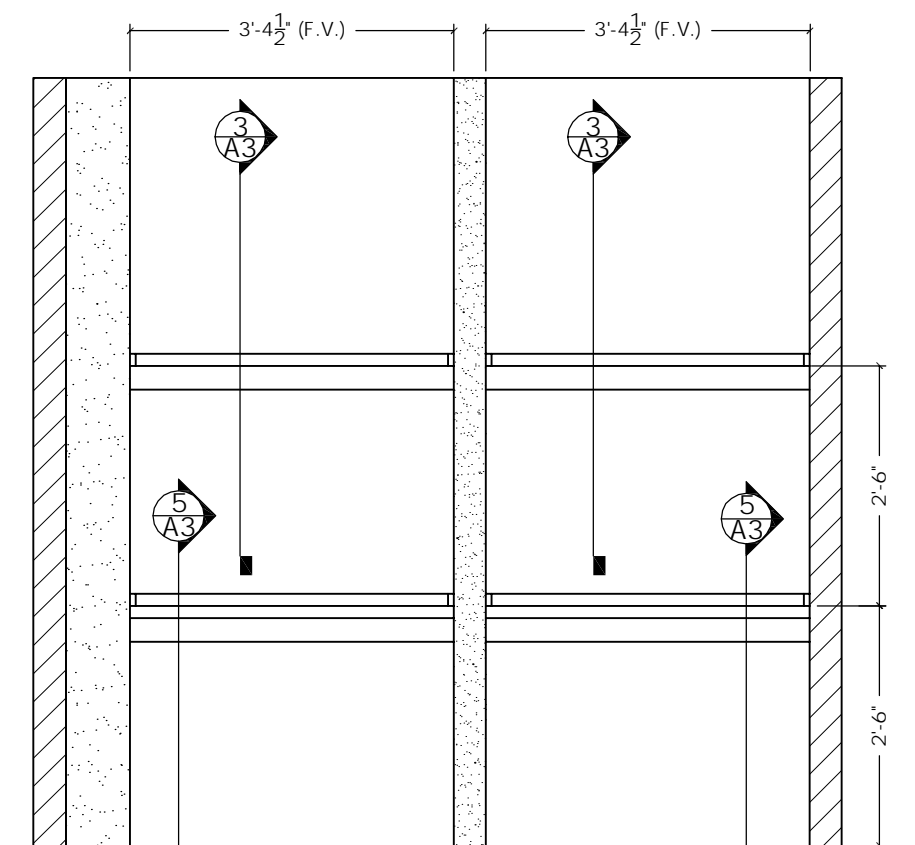
**1 ELEVATION**  
SCALE: 1/2" = 1'-0"



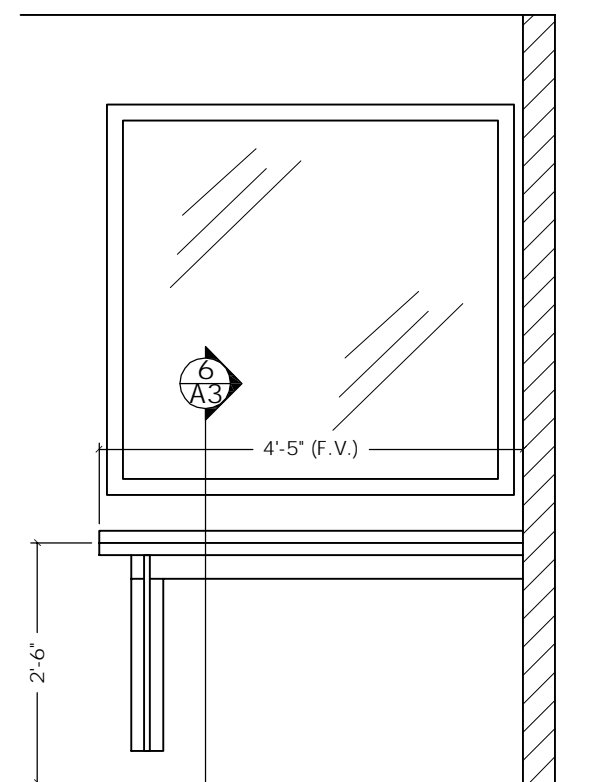
**2 ELEVATION**  
SCALE: 1/2" = 1'-0"



**3 ELEVATION**  
SCALE: 1/2" = 1'-0"



**4 ELEVATION**  
SCALE: 1/2" = 1'-0"



**5 ELEVATION**  
SCALE: 1/2" = 1'-0"

Your Logo Here

ARCHITECTS

CONTRACTOR

**Project Name**  
**ICU/CCU EXPANSION**

PROJECT

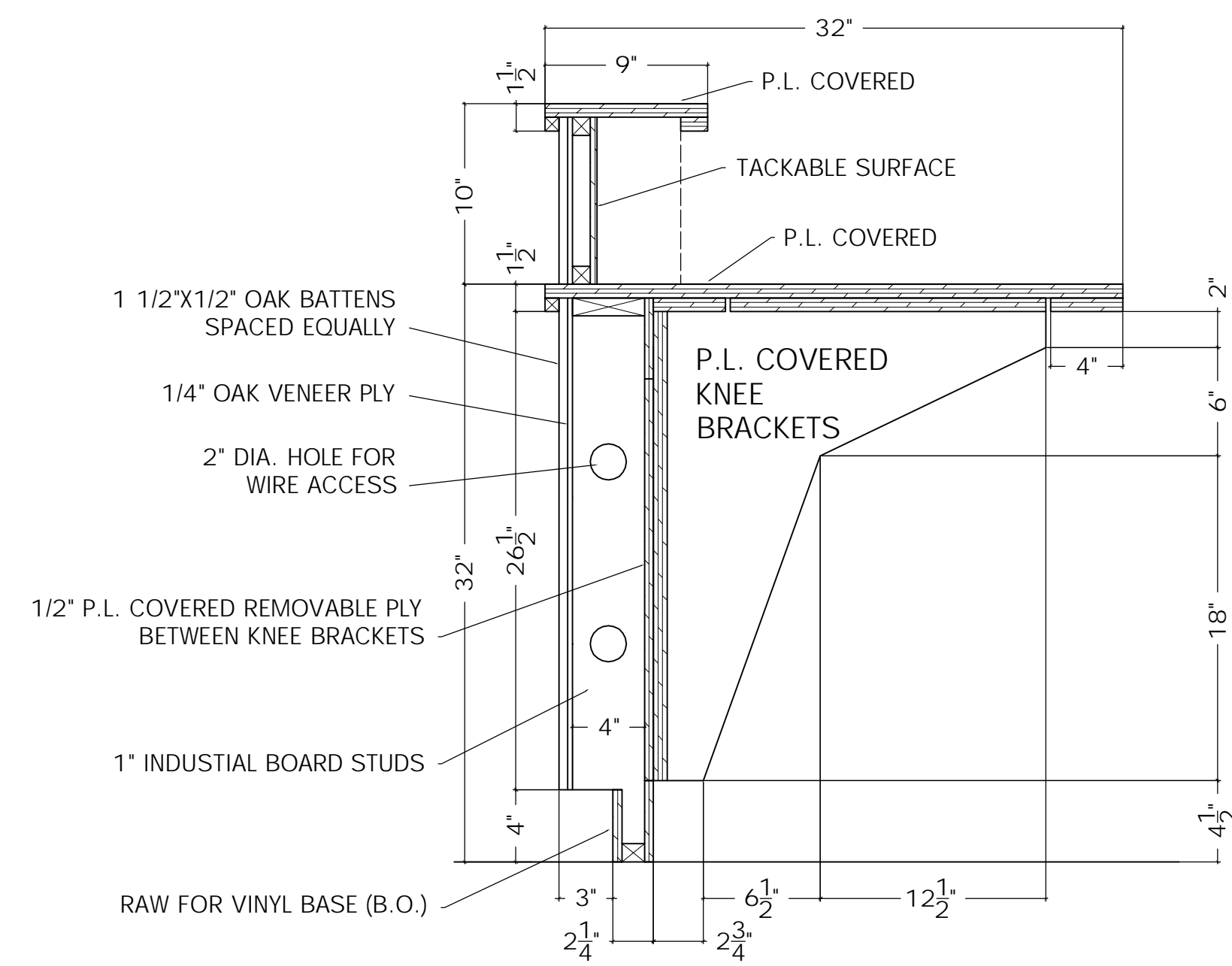
**CASEWORK DETAILS**

DATE  
01/26/04

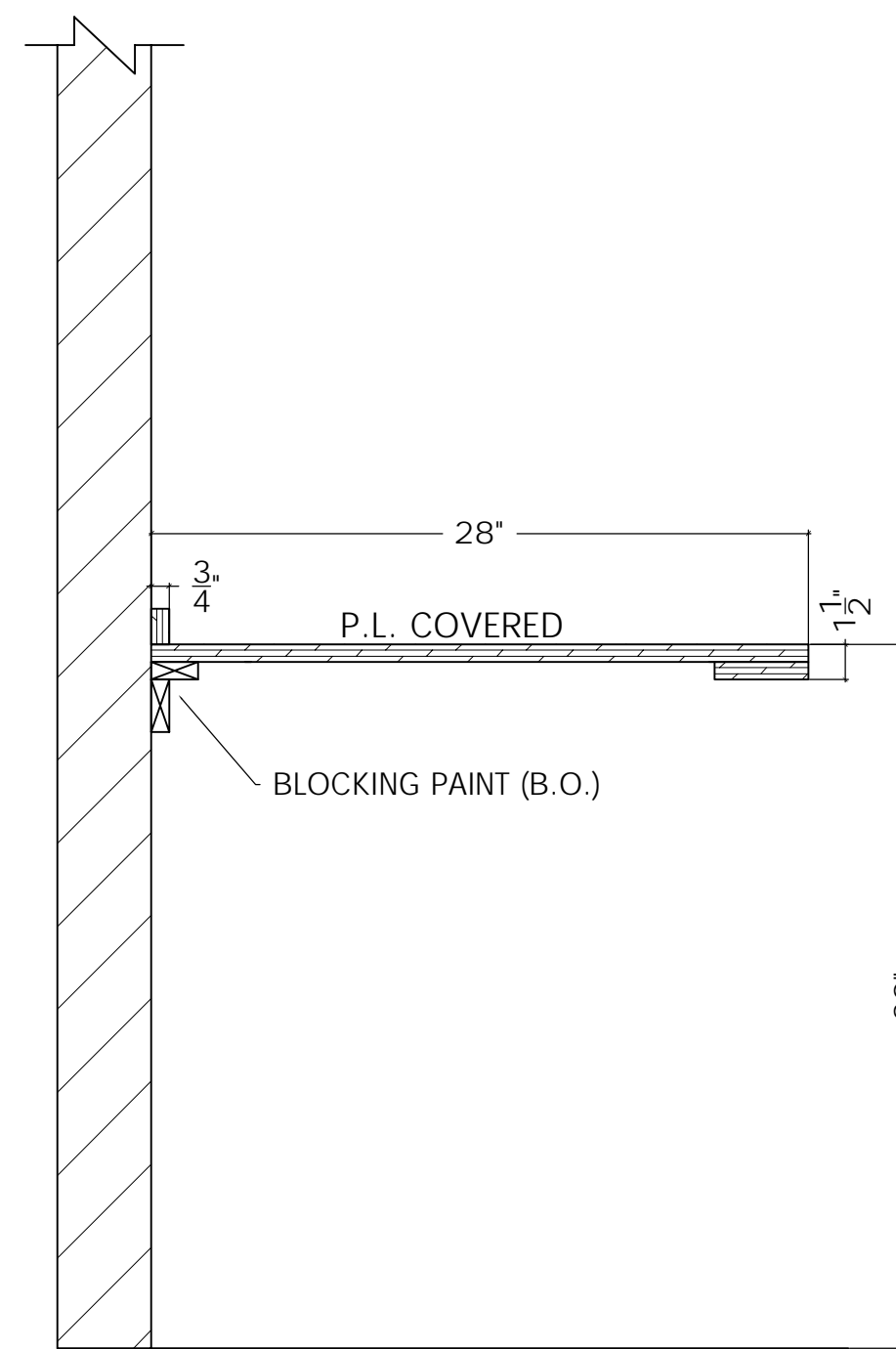
FILE  
brmc.dwg

DRAWN BY

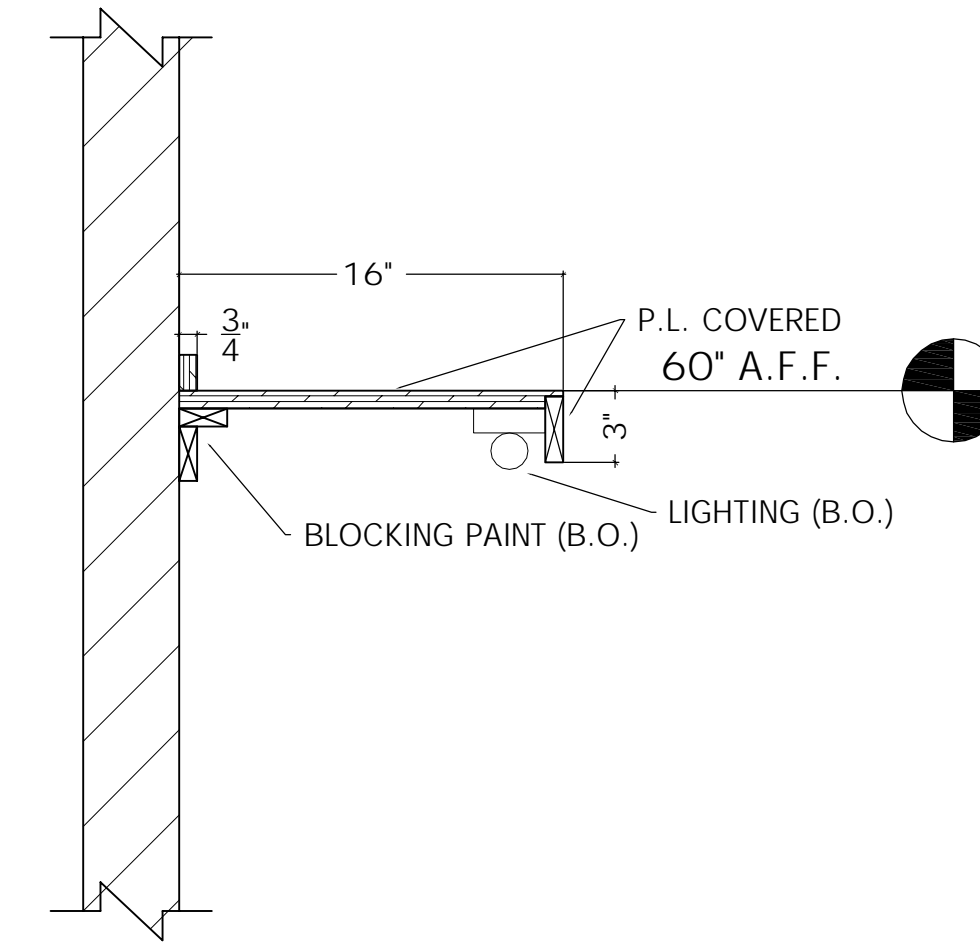
**A2**



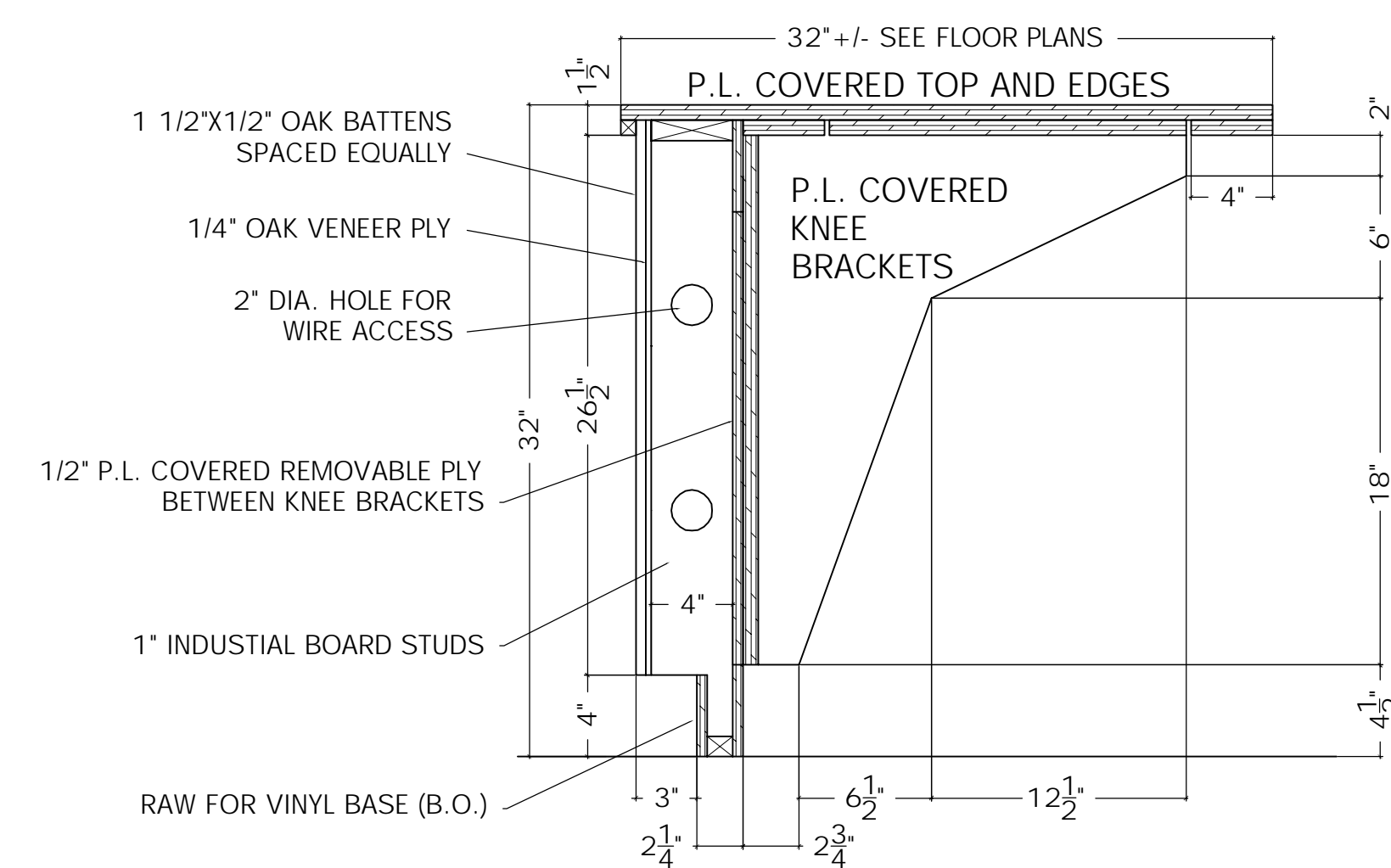
**1 SECTION**  
SCALE: 1 1/2" = 1'-0"



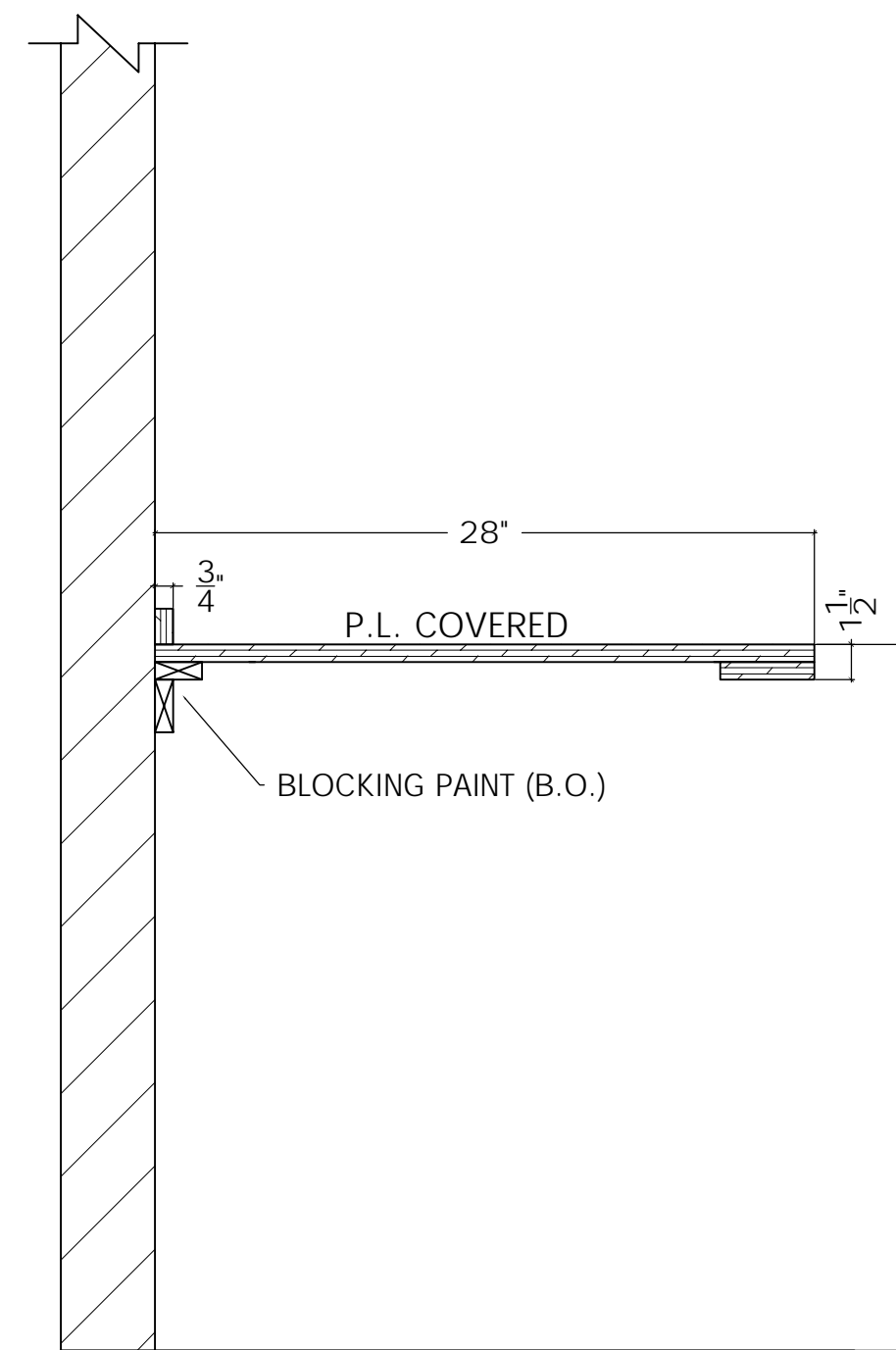
**2 SECTION**  
SCALE: 1 1/2" = 1'-0"



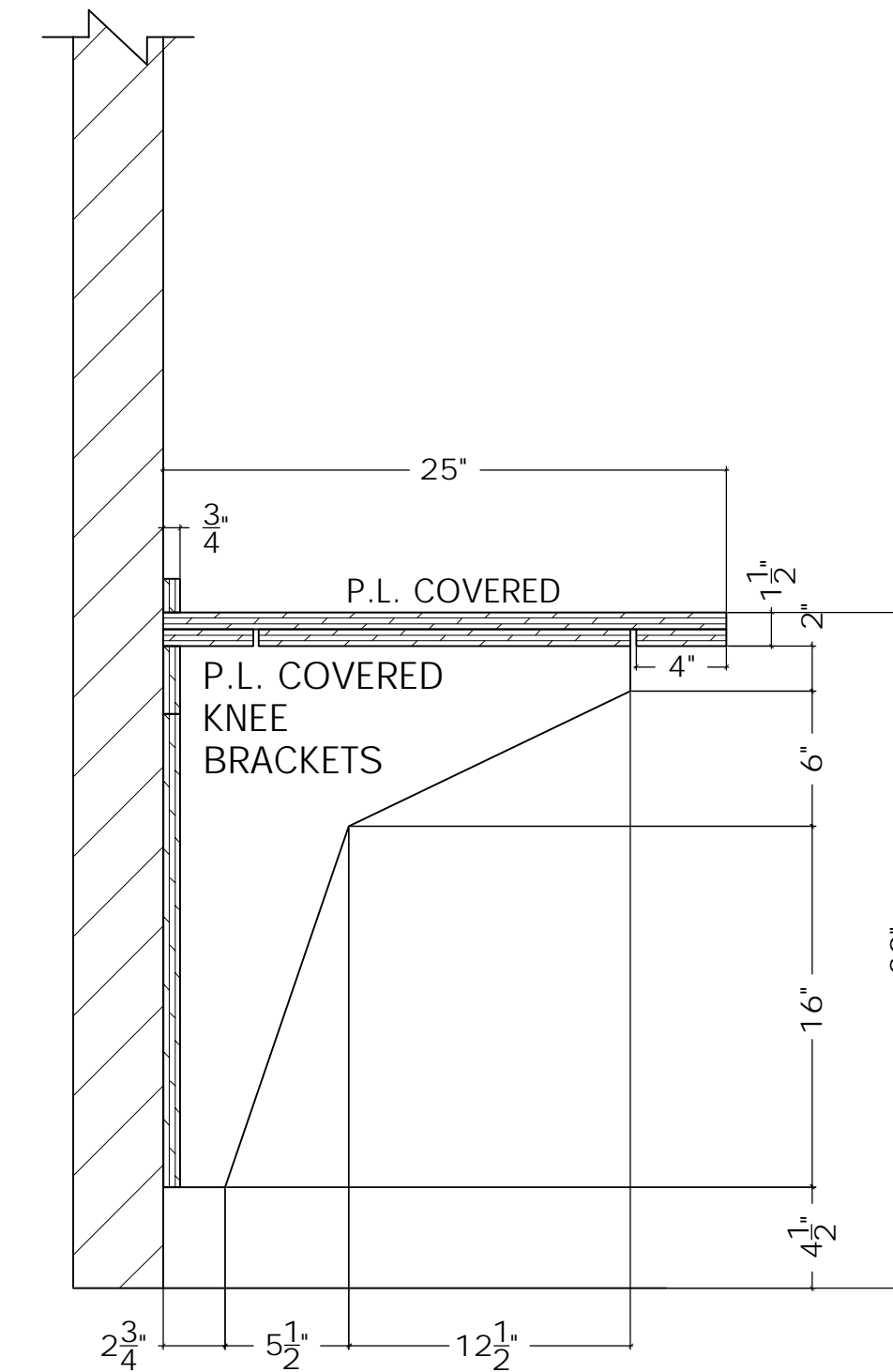
**3 SECTION**  
SCALE: 1 1/2" = 1'-0"



**4 SECTION**  
SCALE: 1 1/2" = 1'-0"



**5 SECTION**  
SCALE: 1 1/2" = 1'-0"



**6 SECTION**  
SCALE: 1 1/2" = 1'-0"

Your Logo Here

ARCHITECTS

CONTRACTOR

Project Name  
**ICU/CCU EXPANSION**

PROJECT

CASEWORK  
DETAILS

DATE	FILE
01/26/04	brmc.dwg

DRAWN BY

**A3**

Your Logo Here

ARCHITECTS

CONTRACTOR

Project Name  
ICU/CCU EXPANSION

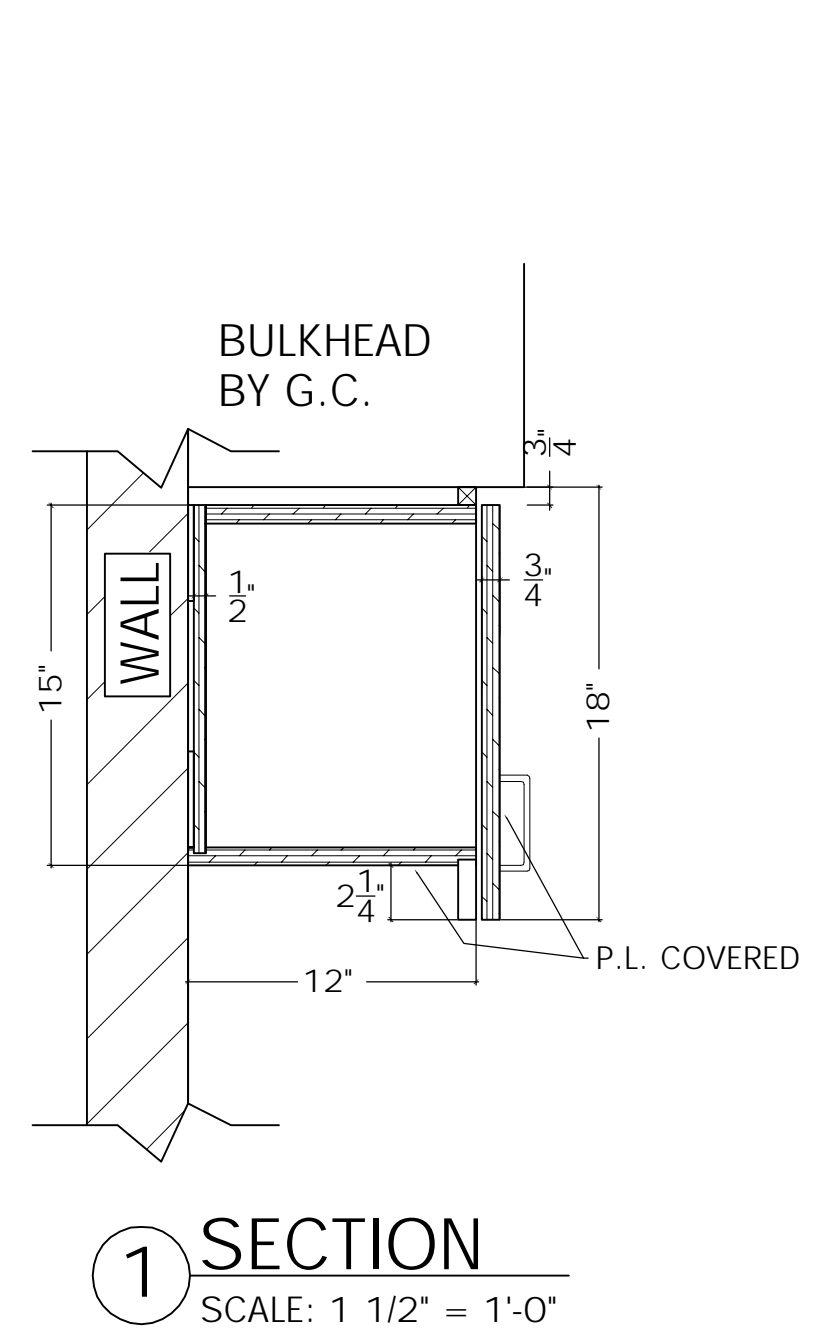
PROJECT

CASEWORK  
DETAILS

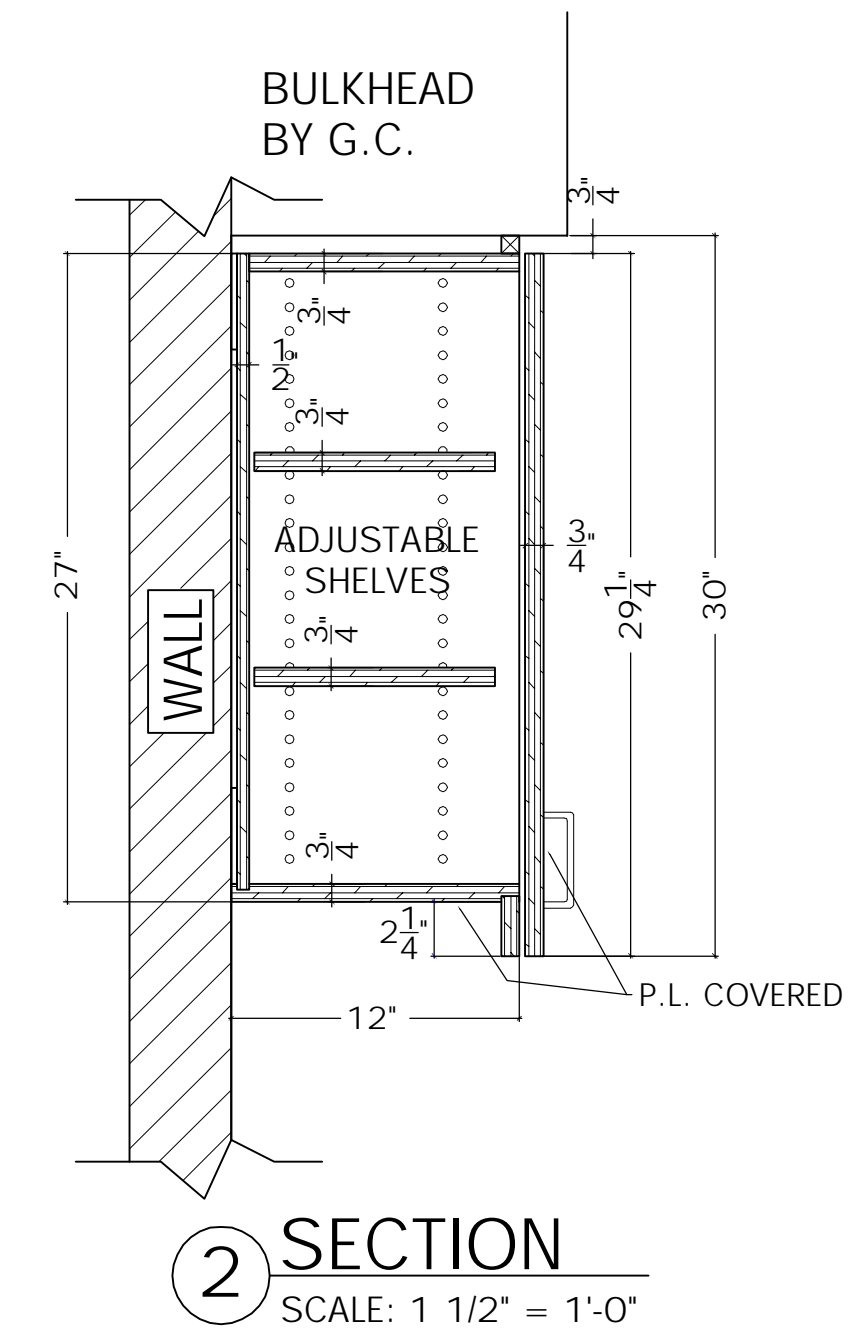
DATE	FILE
01/26/04	brmc.dwg

DRAWN BY

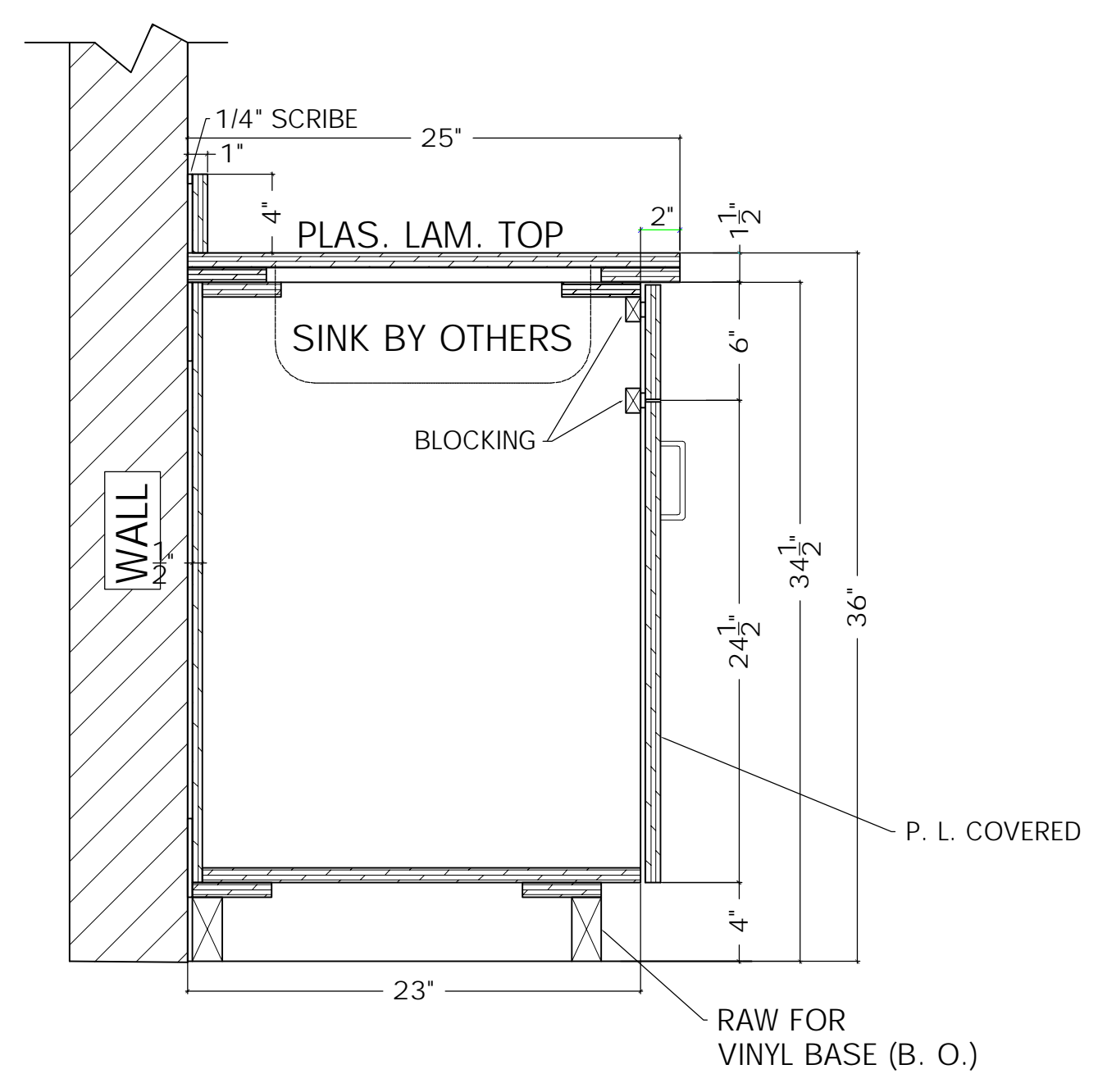
A4



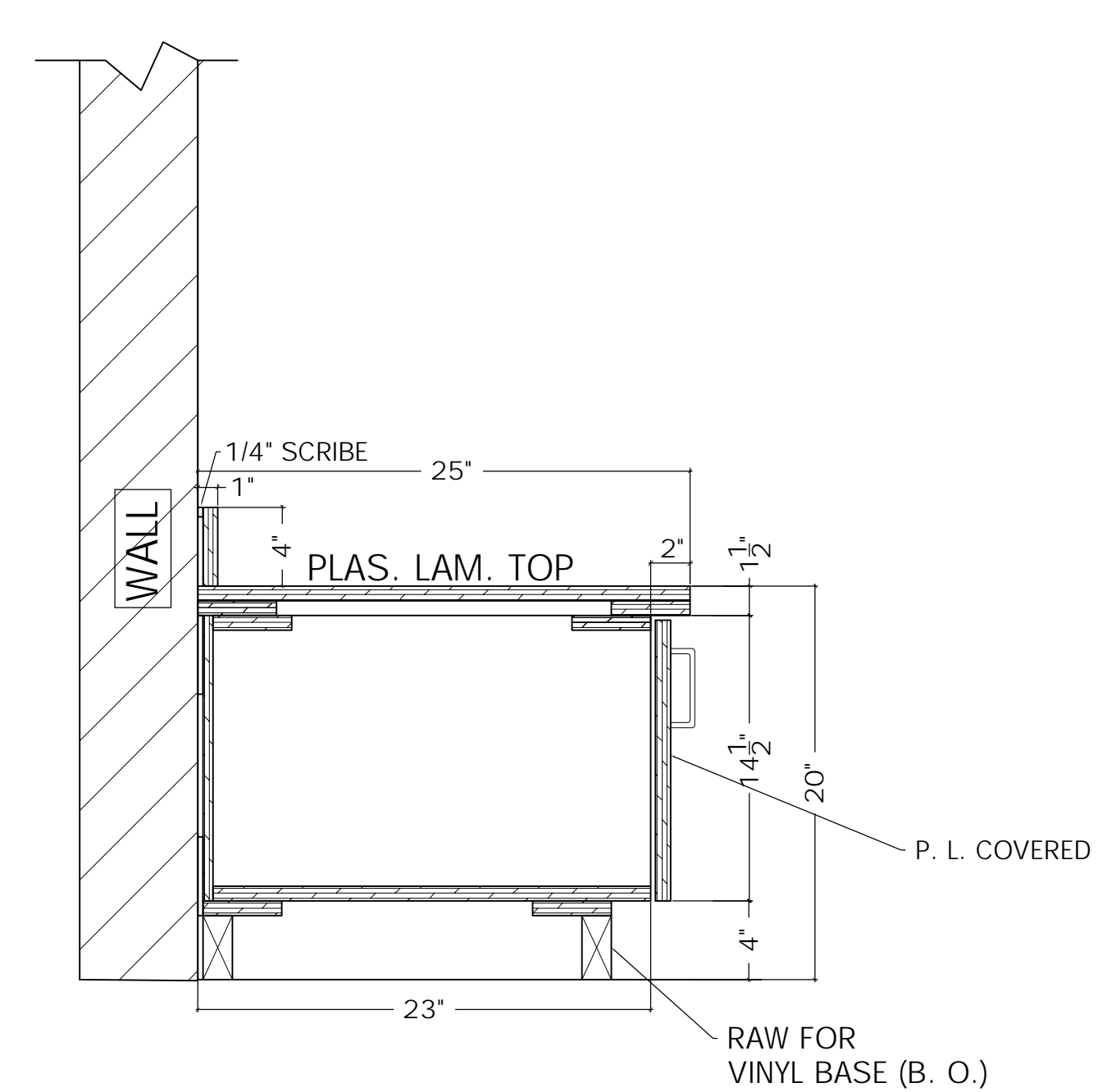
1 SECTION  
SCALE: 1 1/2" = 1'-0"



2 SECTION  
SCALE: 1 1/2" = 1'-0"

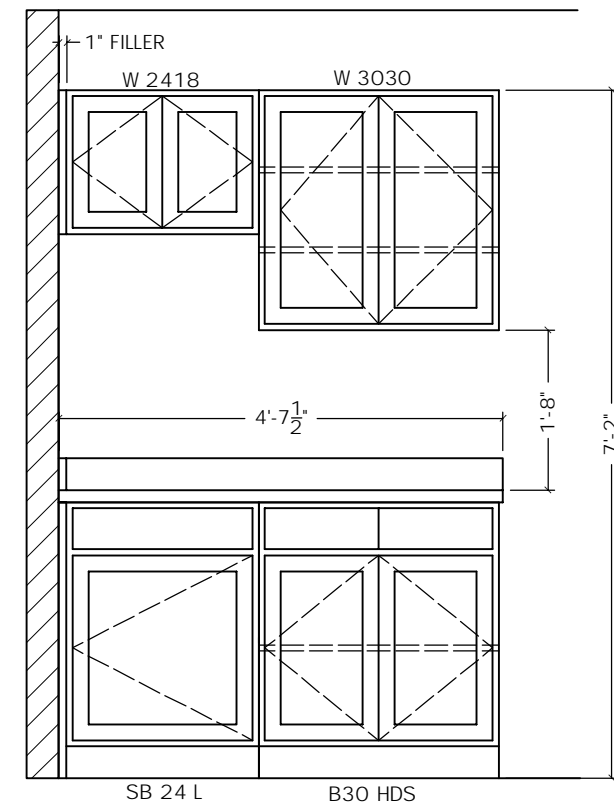


3 SECTION  
SCALE: 1 1/2" = 1'-0"



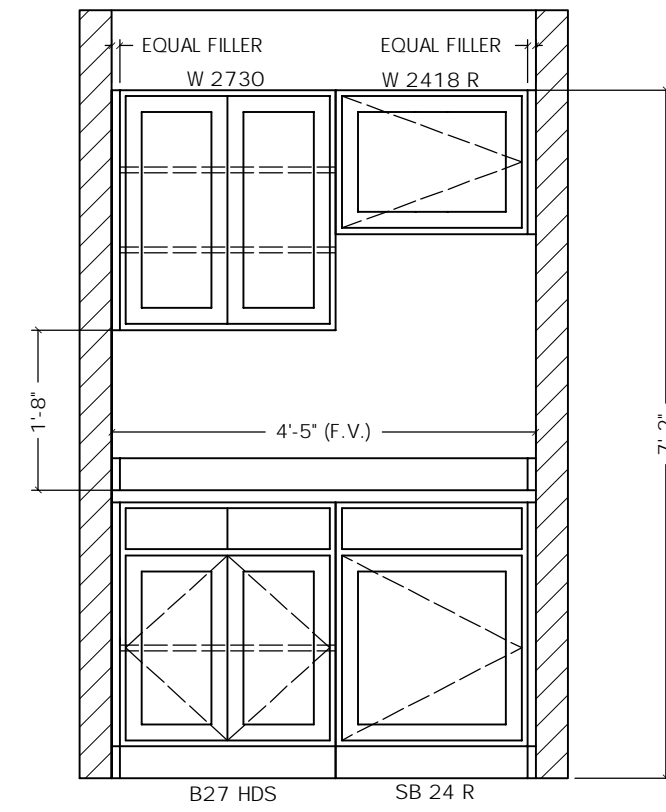
4 SECTION  
SCALE: 1 1/2" = 1'-0"

PLASTIC LAMINATE CALLOUT		
	BRAND	COLOR
COUNTER		
CABINETS		



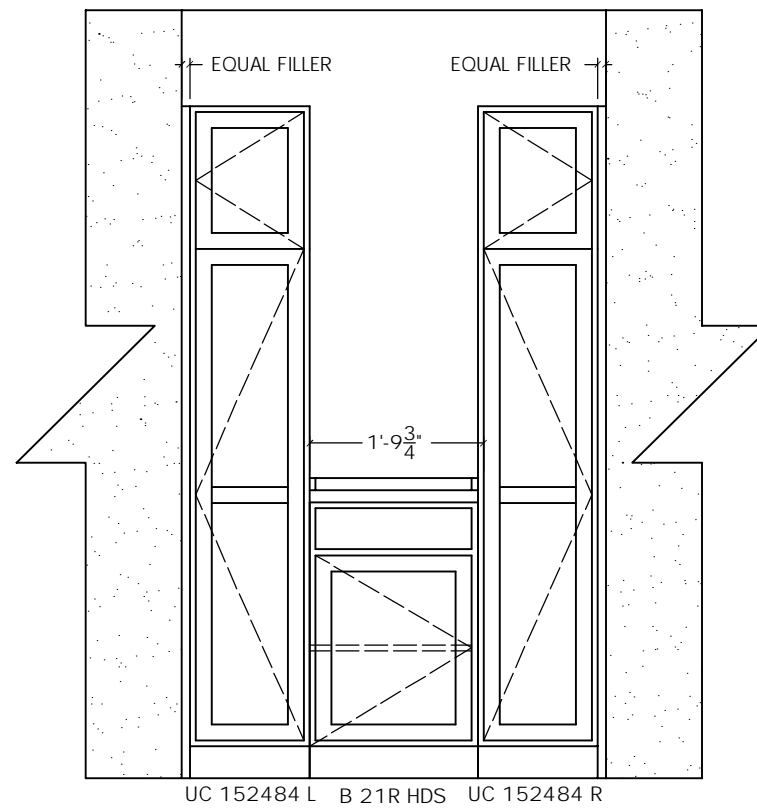
**ELEVATION TREATMENT 103**  
SCALE: 1/2" = 1'-0"

PLASTIC LAMINATE CALLOUT		
	BRAND	COLOR
COUNTER		
CABINETS		



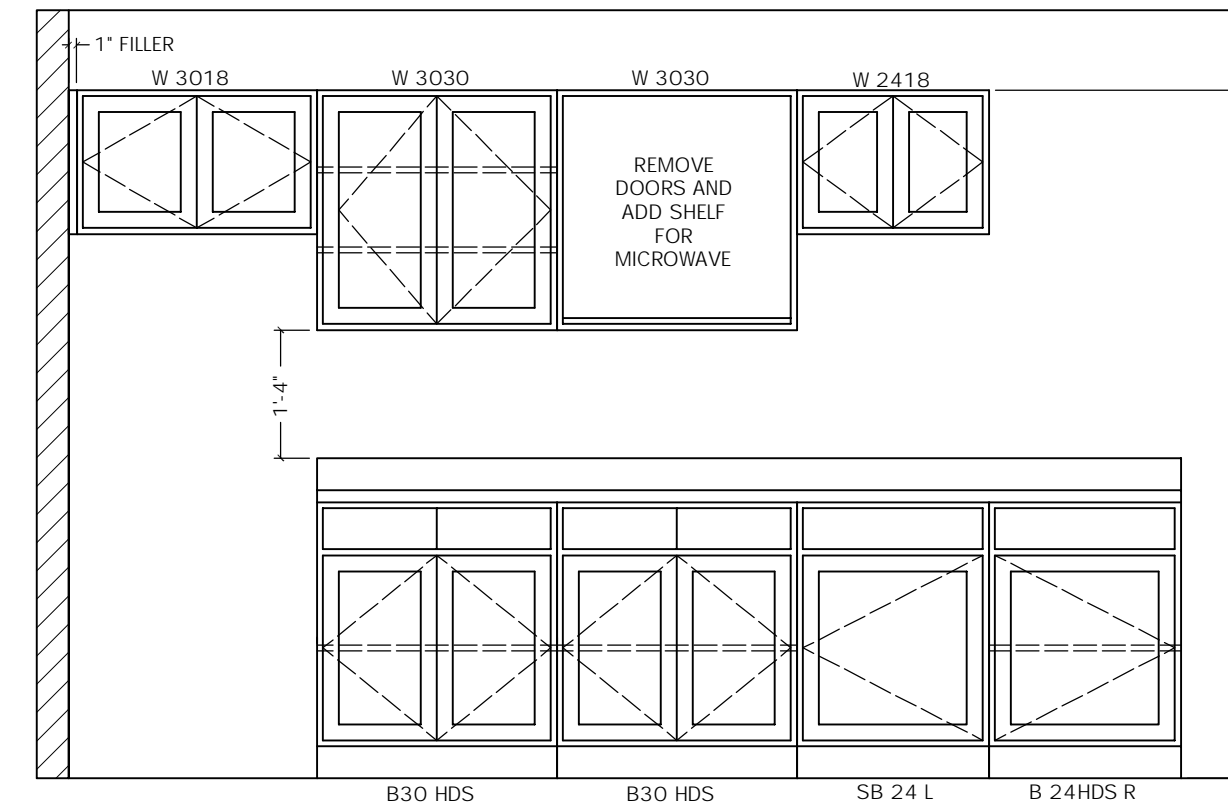
**ELEVATION EXAM 169**  
SCALE: 1/2" = 1'-0"

PLASTIC LAMINATE CALLOUT		
	BRAND	COLOR
COUNTER		
CABINETS		



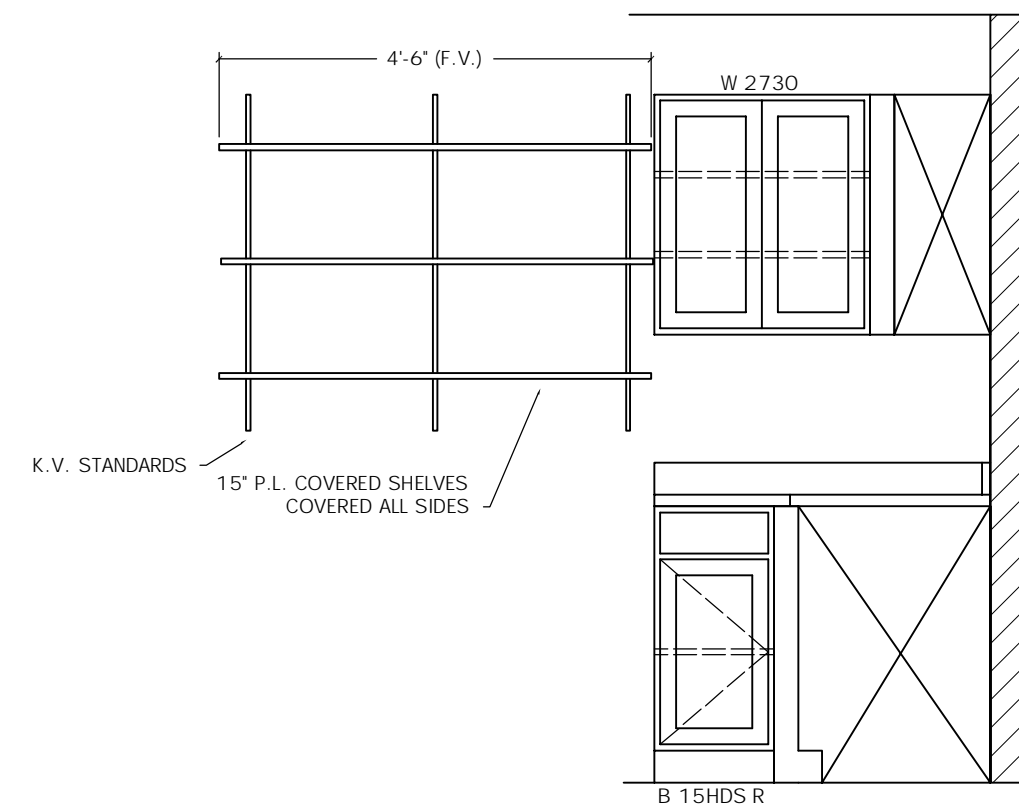
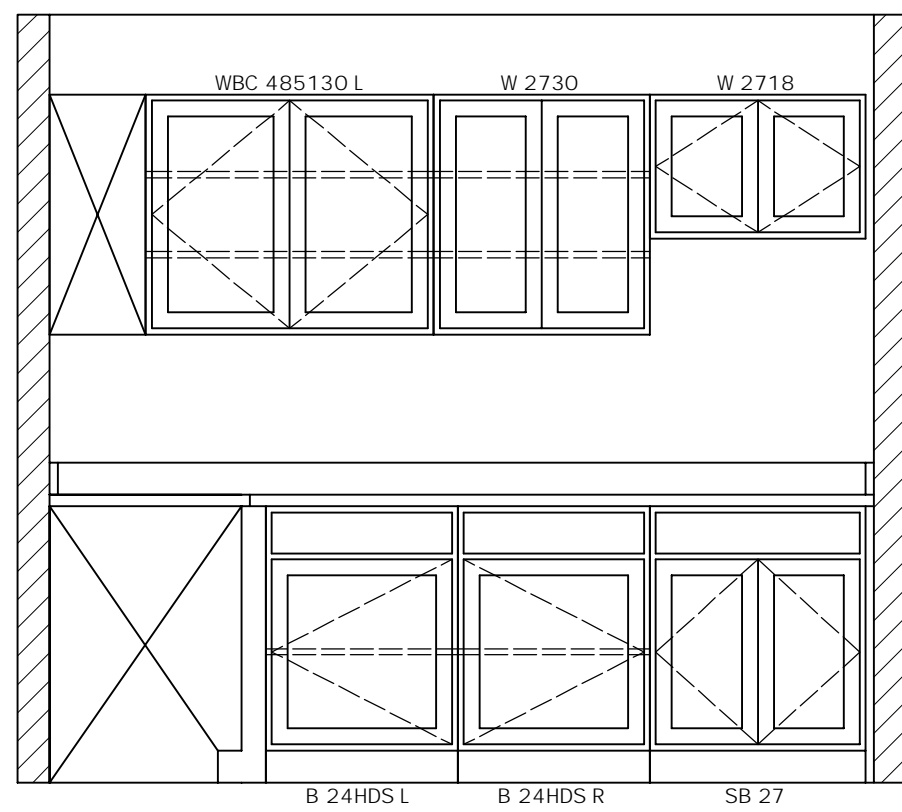
**ELEVATION PAT. BED 111, 162**  
SCALE: 1/2" = 1'-0"

PLASTIC LAMINATE CALLOUT		
	BRAND	COLOR
COUNTER		
CABINETS		

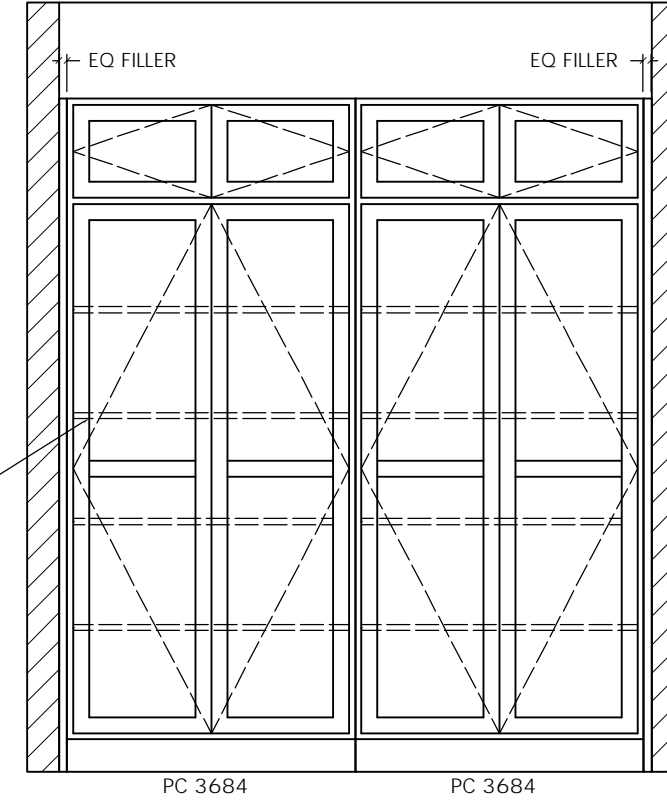


**ELEVATION NOURISHMENT 132**  
SCALE: 1/2" = 1'-0"

PLASTIC LAMINATE CALLOUT		
	BRAND	COLOR
COUNTER		
CABINETS		



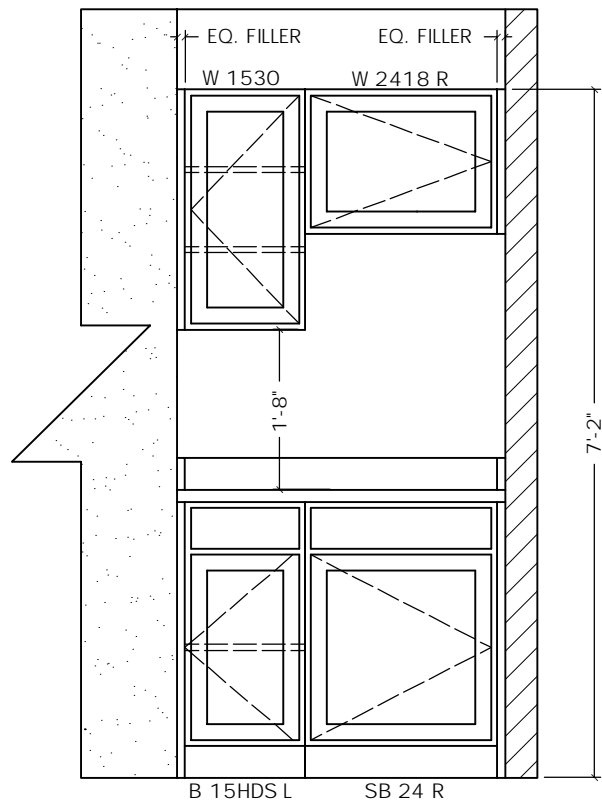
**ELEVATION CLEAN 122**  
SCALE: 1/2" = 1'-0"



**ELEVATION CORRIDOR 134**  
SCALE: 1/2" = 1'-0"

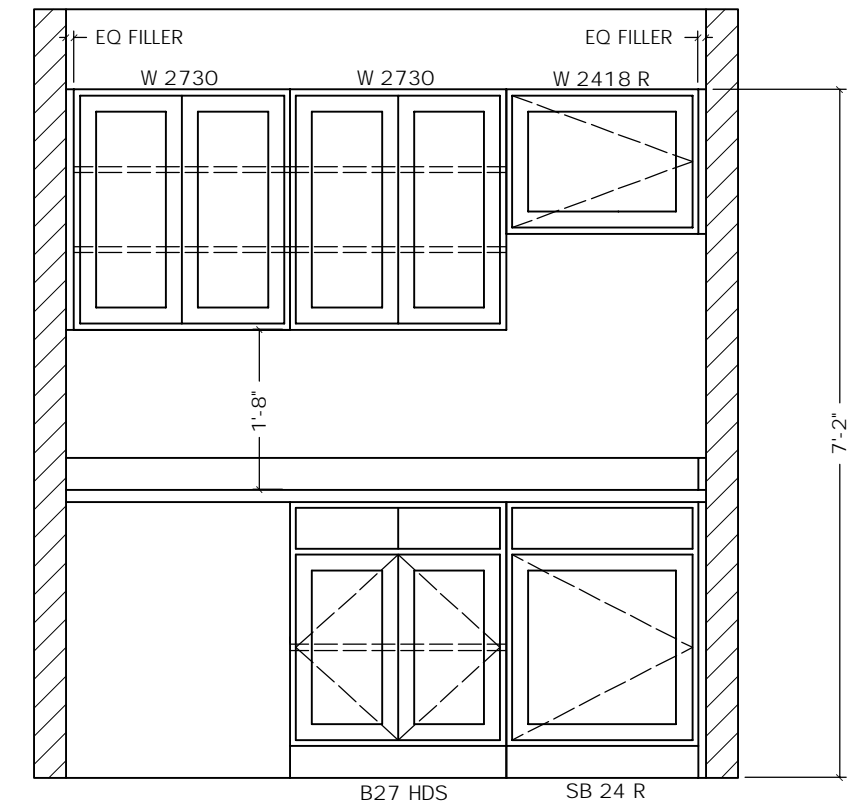
NOTE: ALL CABINETS THIS SHEET MERILATT-SENICA RIDGE SQUARE

PLASTIC LAMINATE CALLOUT		
	BRAND	COLOR
COUNTER		
CABINETS		

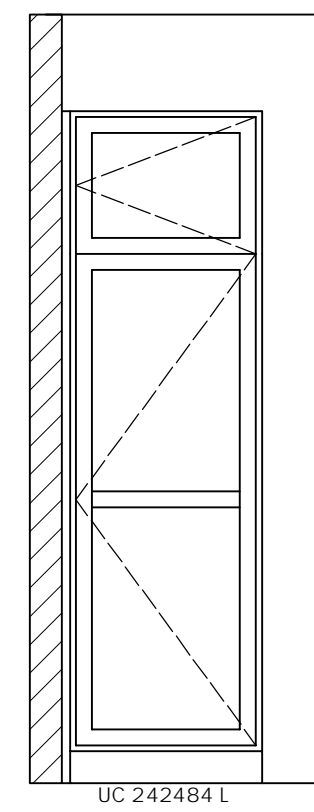


**ELEVATION SOILED 119**  
SCALE: 1/2" = 1'-0"

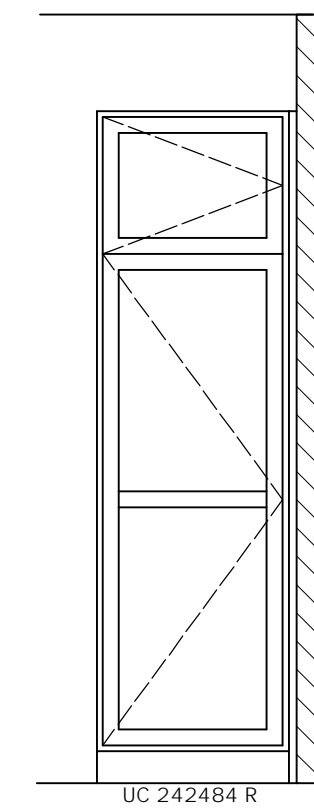
PLASTIC LAMINATE CALLOUT		
	BRAND	COLOR
COUNTER		
CABINETS		



**ELEVATION NURSE 123**  
SCALE: 1/2" = 1'-0"



**ELEVATION PAT. BED 137, 142, 147, 151, 156**  
SCALE: 1/2" = 1'-0"



**ELEVATION PAT. BED 147, 152, 141, 146**  
SCALE: 1/2" = 1'-0"

Your Logo Here

ARCHITECTS

CONTRACTOR

Project Name

ICU/CCU EXPANSION

PROJECT

CASEWORK DETAILS

DATE

01/26/04

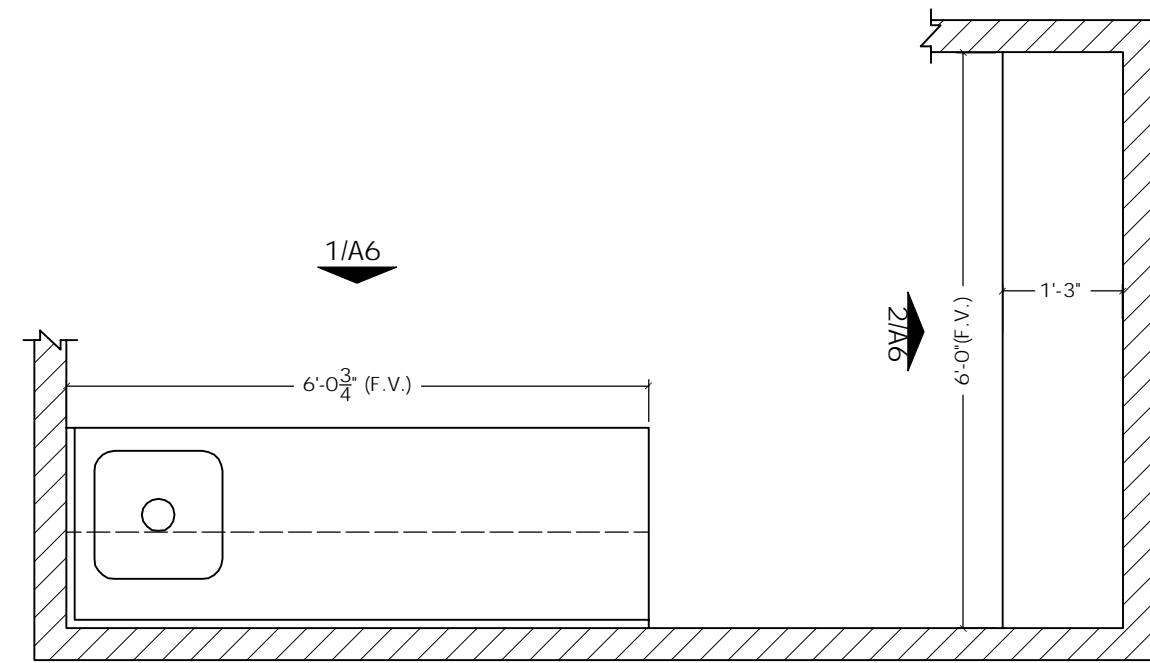
FILE

brmc.dwg

DRAWN BY

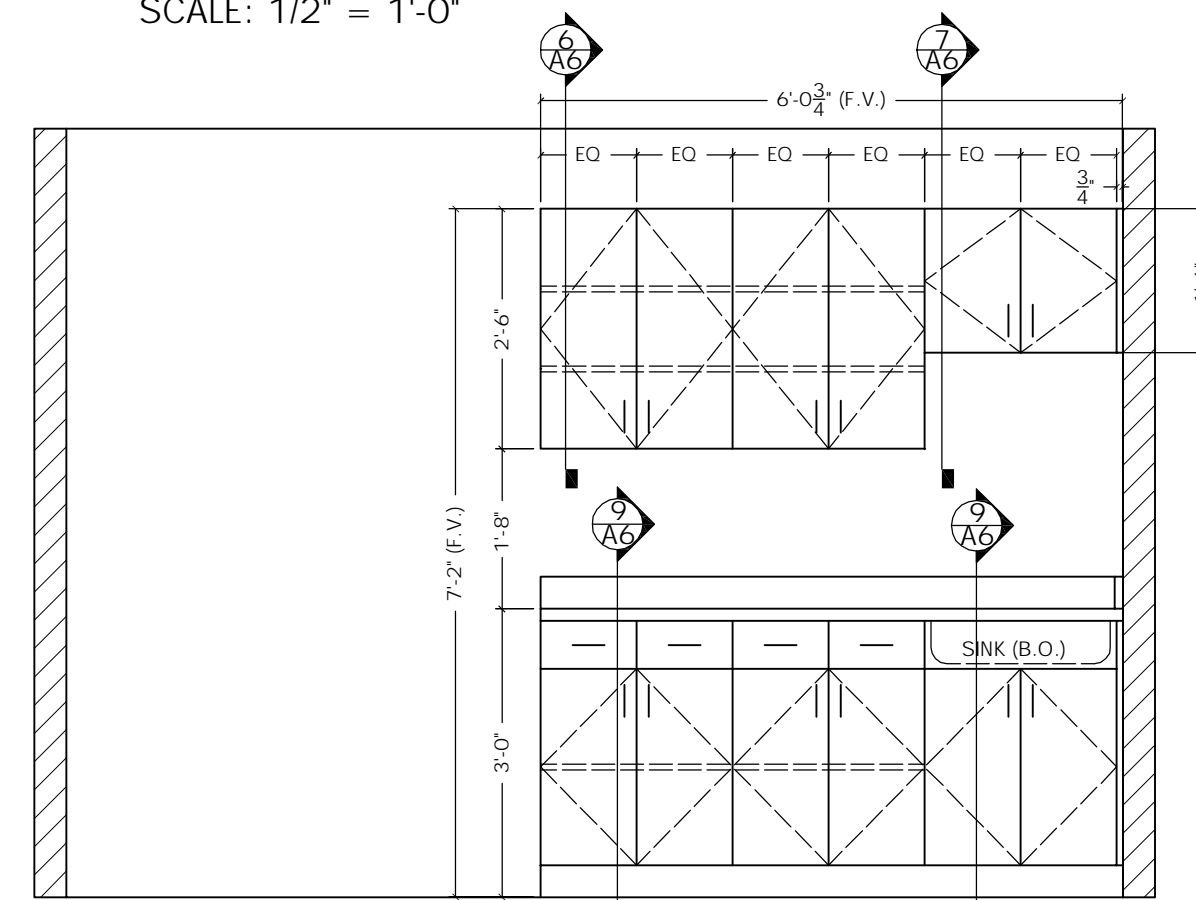
A5

PLASTIC LAMINATE CALLOUT		
COUNTER	BRAND	COLOR
COUNTER		
CABINETS		



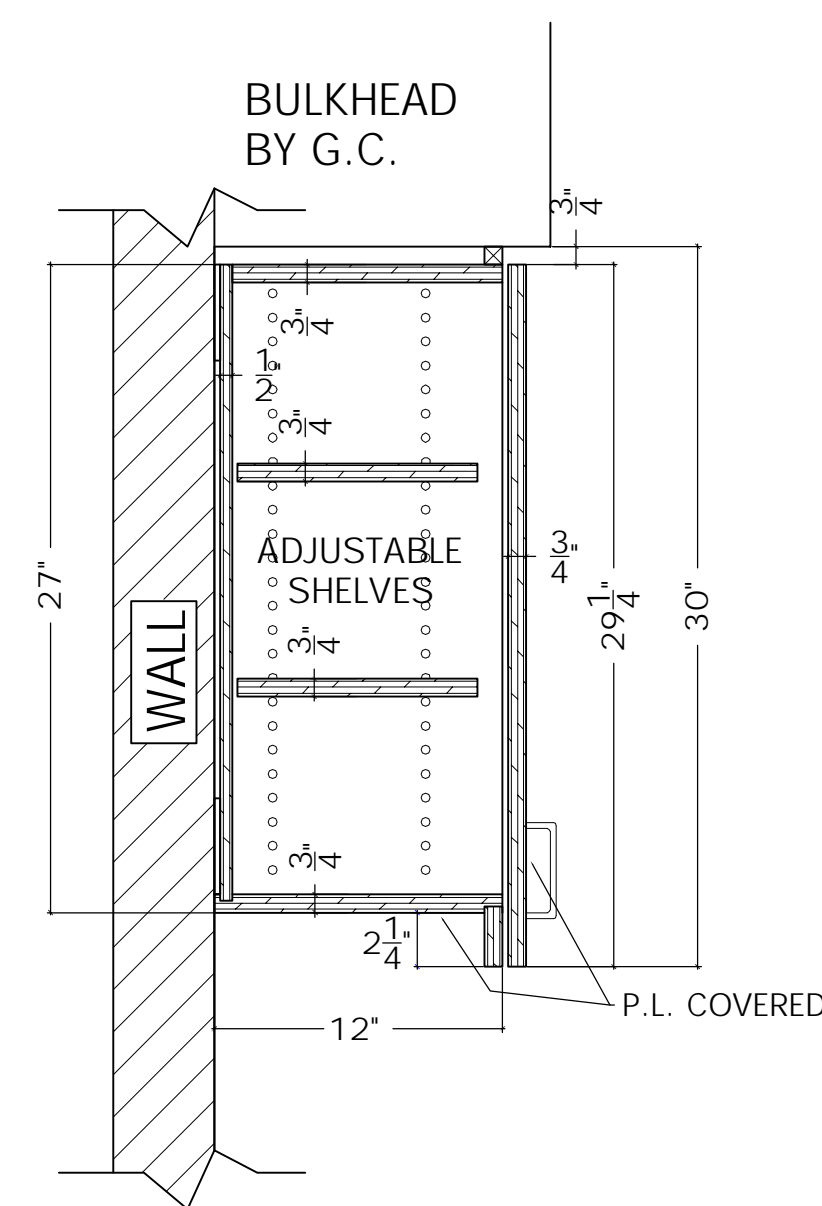
**PLAN VIEW CLEAN 317**

SCALE: 1/2" = 1'-0"



**1 ELEVATION**

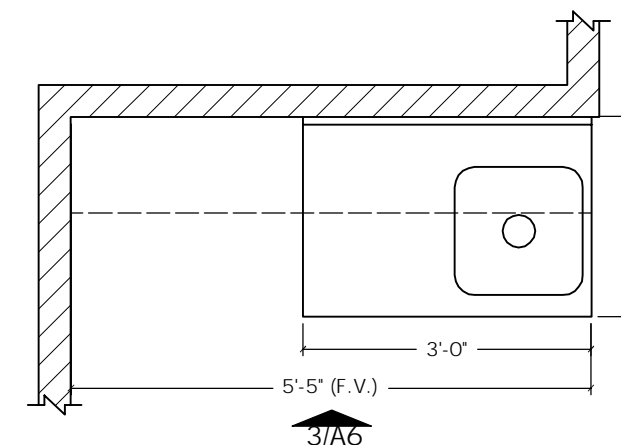
SCALE: 1/2" = 1'-0"



**6 SECTION**

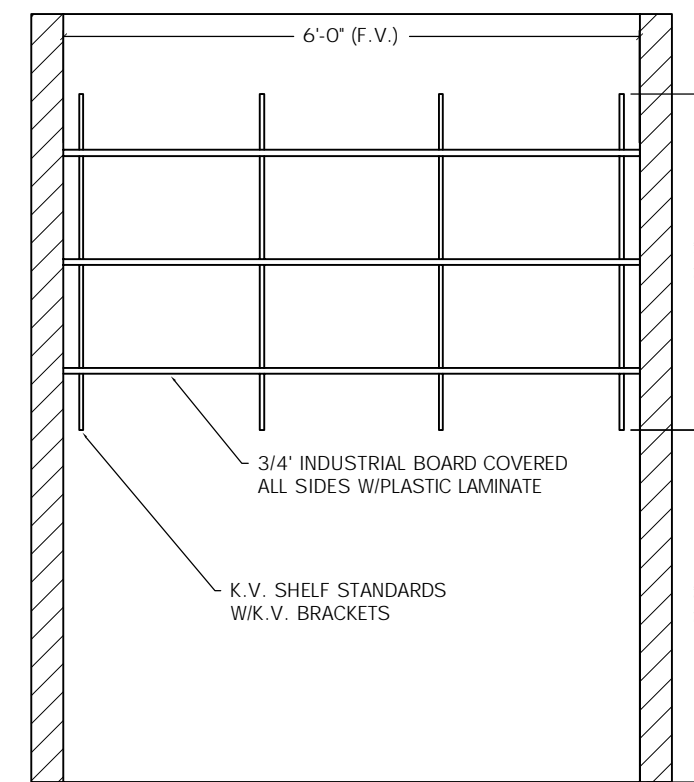
SCALE: 1 1/2" = 1'-0"

PLASTIC LAMINATE CALLOUT		
COUNTER	BRAND	COLOR
COUNTER		
CABINETS		



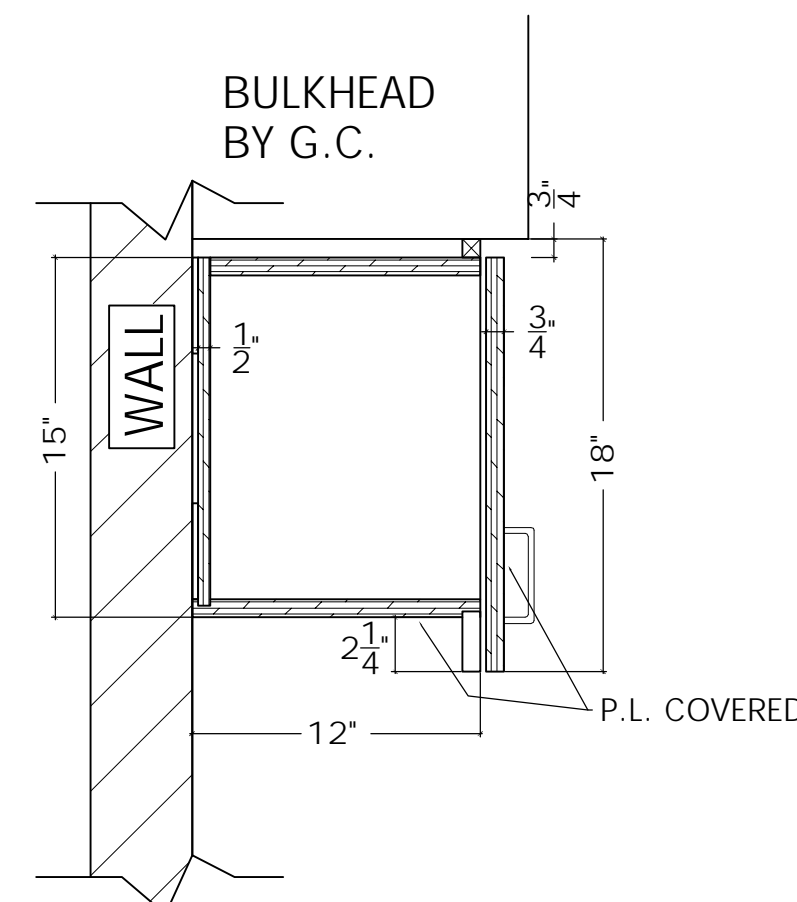
**PLAN VIEW NURSE BREAK 319**

SCALE: 1/2" = 1'-0"



**2 ELEVATION**

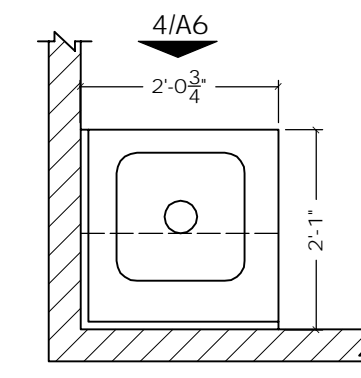
SCALE: 1/2" = 1'-0"



**7 SECTION**

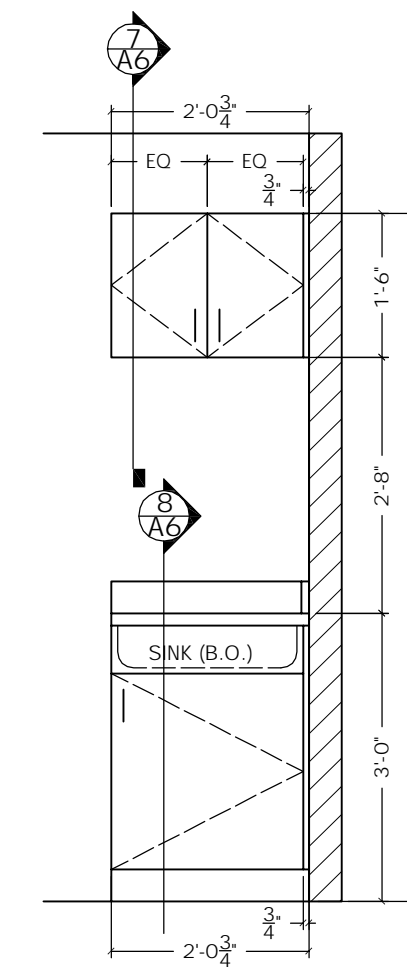
SCALE: 1 1/2" = 1'-0"

PLASTIC LAMINATE CALLOUT		
COUNTER	BRAND	COLOR
COUNTER		
CABINETS		



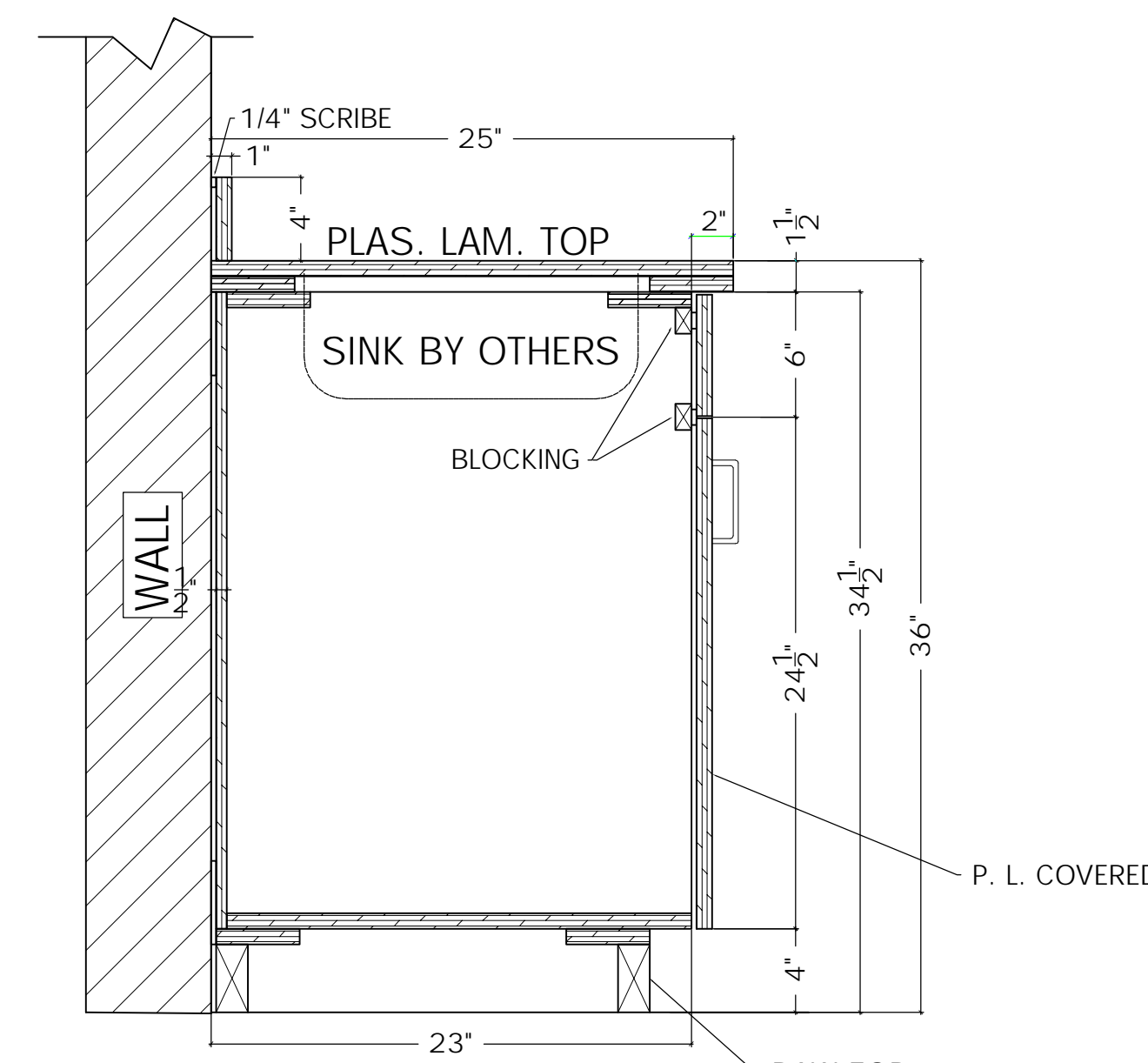
**PLAN VIEW SOILED 316**

SCALE: 1/2" = 1'-0"



**4 ELEVATION**

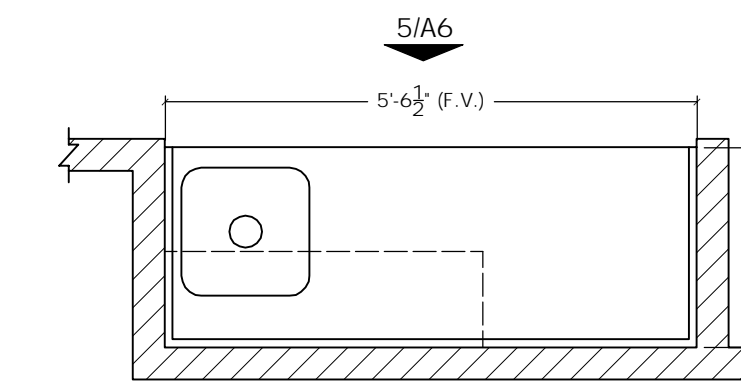
SCALE: 1/2" = 1'-0"



**8 SECTION**

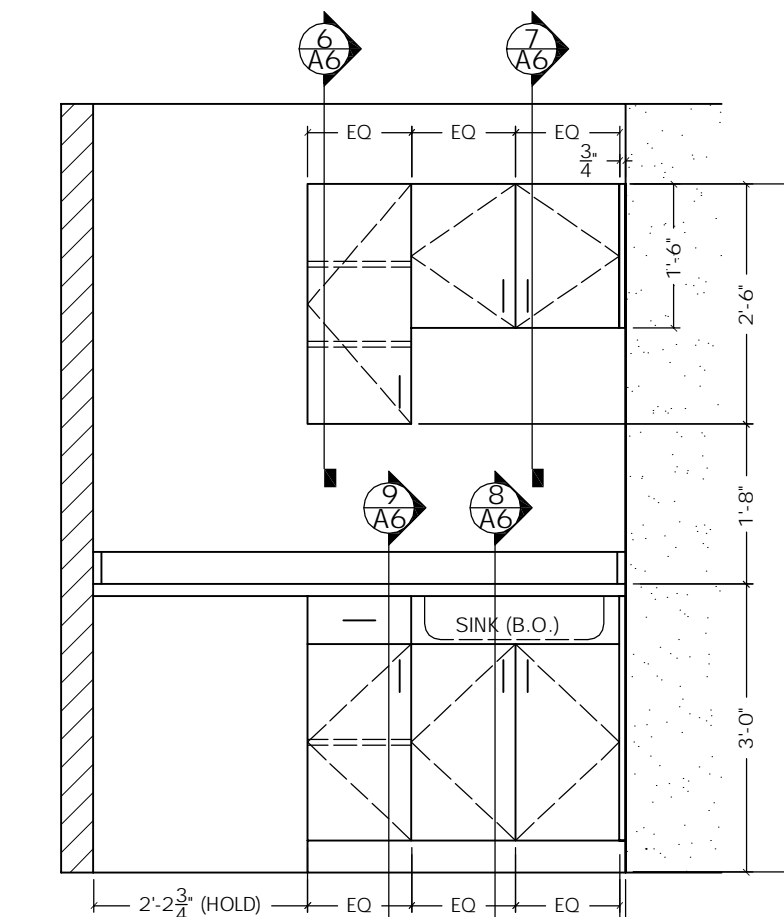
SCALE: 1 1/2" = 1'-0"

PLASTIC LAMINATE CALLOUT		
COUNTER	BRAND	COLOR
COUNTER		
CABINETS		



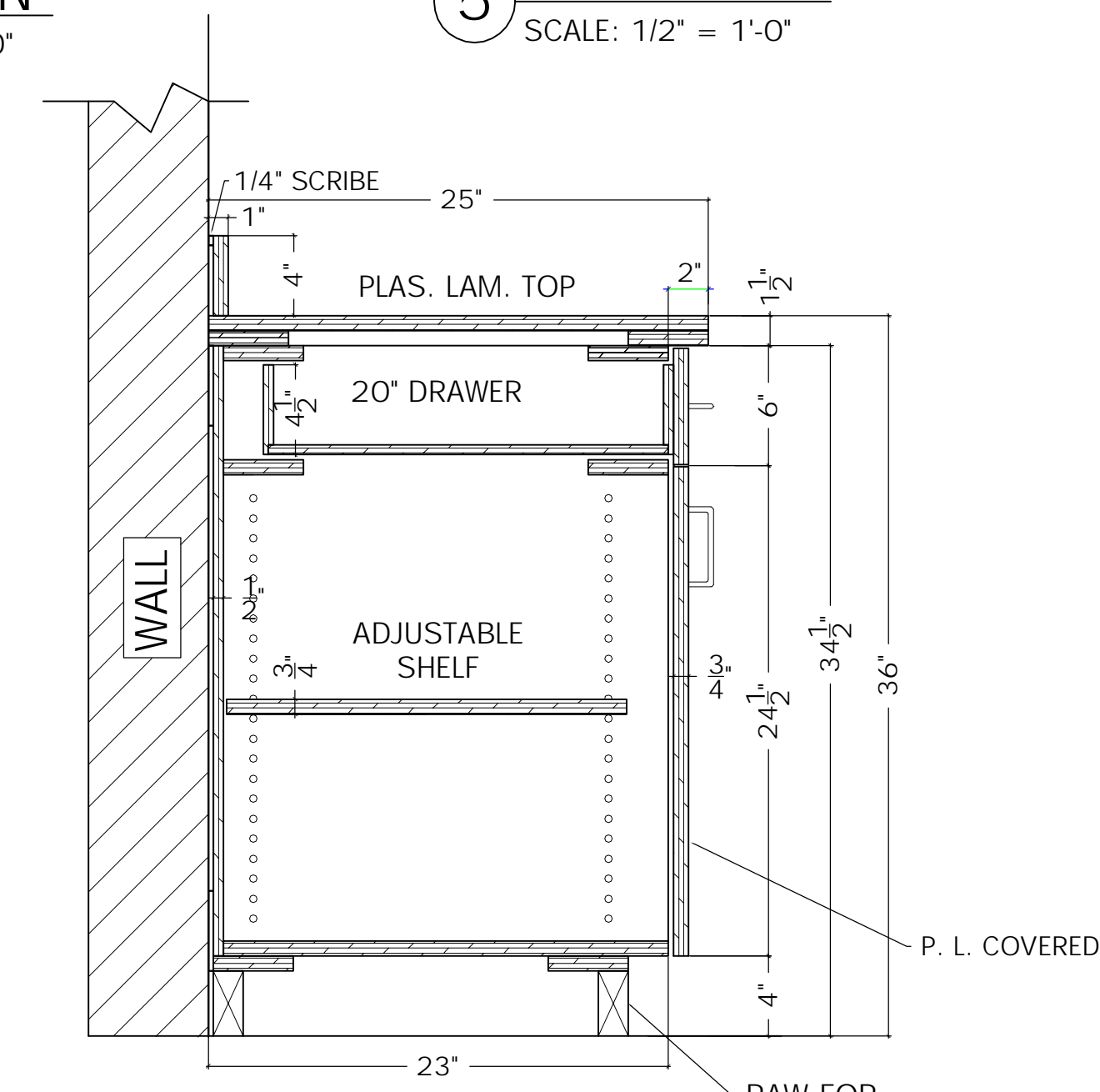
**PLAN VIEW CORRIDOR 301**

SCALE: 1/2" = 1'-0"



**5 ELEVATION**

SCALE: 1/2" = 1'-0"



**9 SECTION**

SCALE: 1 1/2" = 1'-0"

Your Logo Here

ARCHITECTS

CONTRACTOR

Project Name  
ICU/CCU EXPANSION

PROJECT

CASEWORK  
DETAILS

DATE

01/26/04

FILE

brmc.dwg

DRAWN BY

A6

Your Logo Here

ARCHITECTS

CONTRACTOR

Project Name  
ICU/CCU EXPANSION

PROJECT

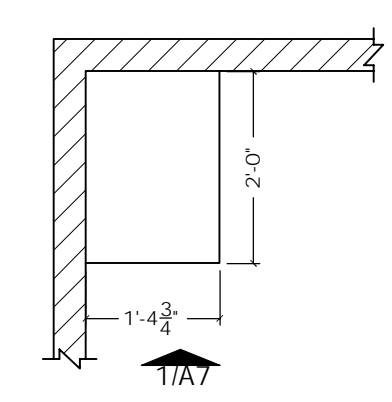
CASEWORK  
DETAILS

DATE	FILE
01/26/04	brmc.dwg

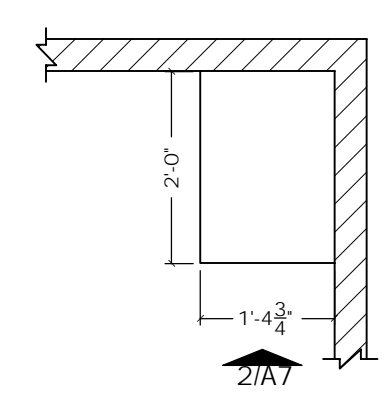
DRAWN BY

A7

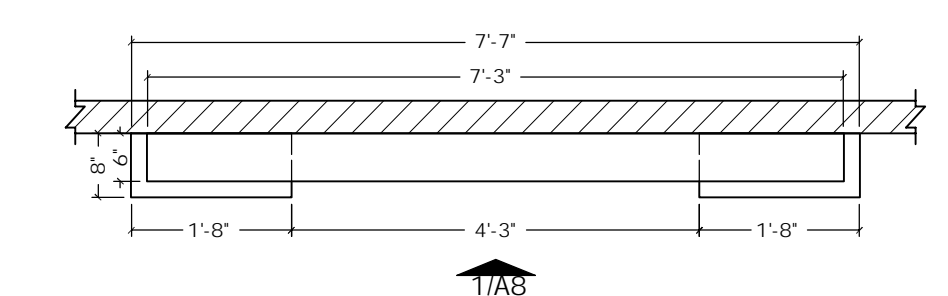
PLASTIC LAMINATE CALLOUT		
	BRAND	COLOR
COUNTER		
CABINETS		



PLAN VIEW #307,309,311  
SCALE: 1/2" = 1'-0"

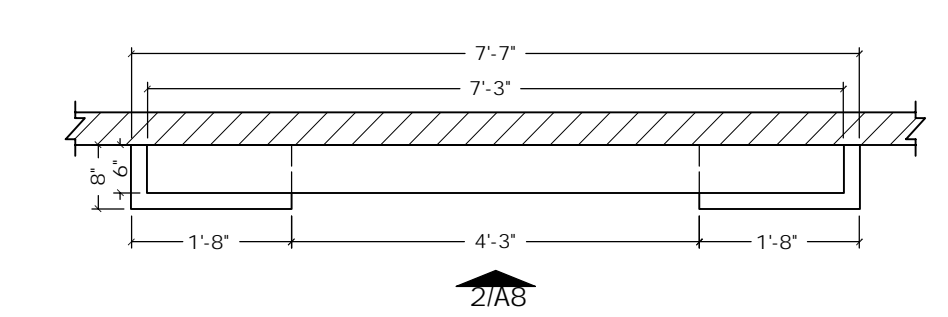


PLAN VIEW #306,308,310,312  
SCALE: 1/2" = 1'-0"

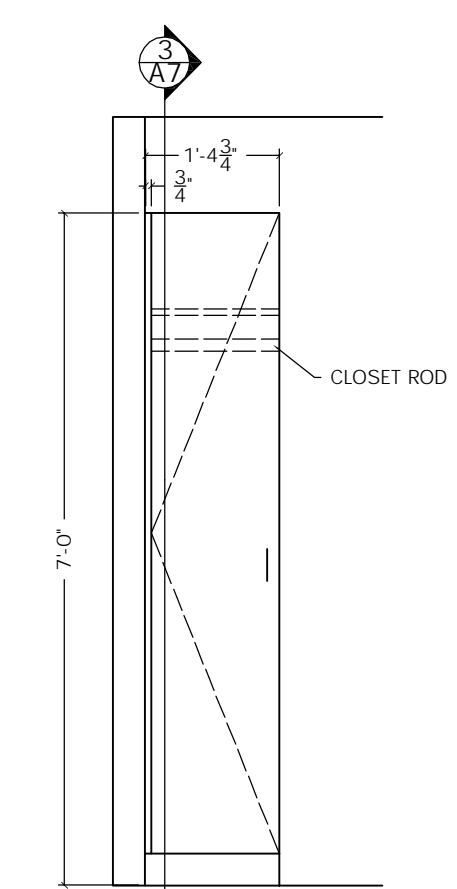


PLAN VIEW #308,310,311,312  
SCALE: 1/2" = 1'-0"

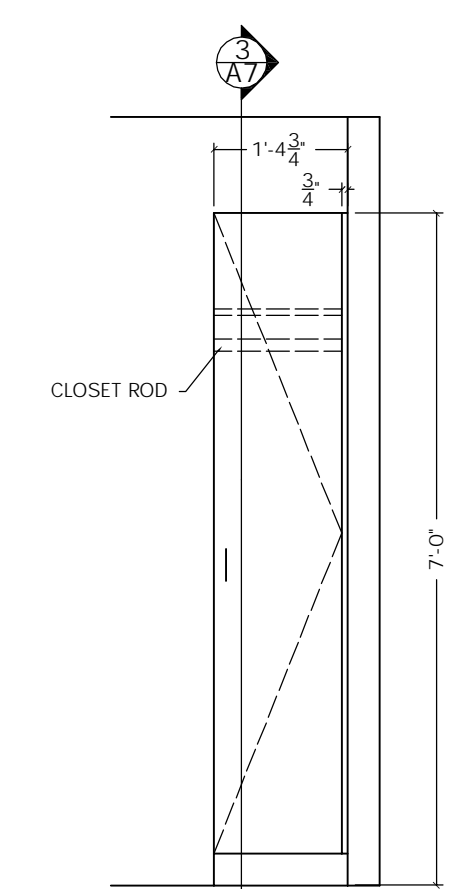
PLASTIC LAMINATE CALLOUT		
	BRAND	COLOR
COUNTER		
CABINETS		



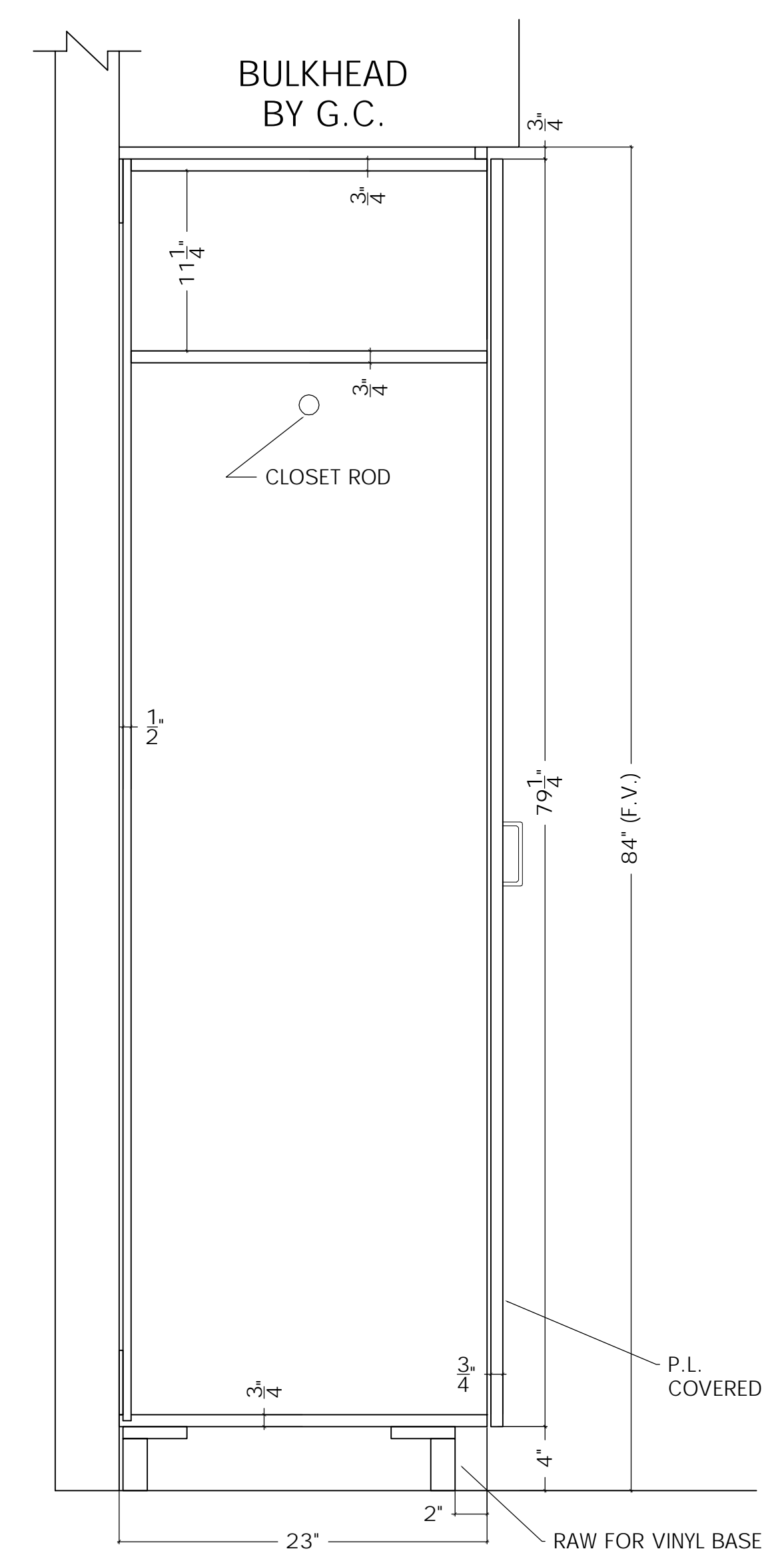
PLAN VIEW #306,307,309  
SCALE: 1/2" = 1'-0"



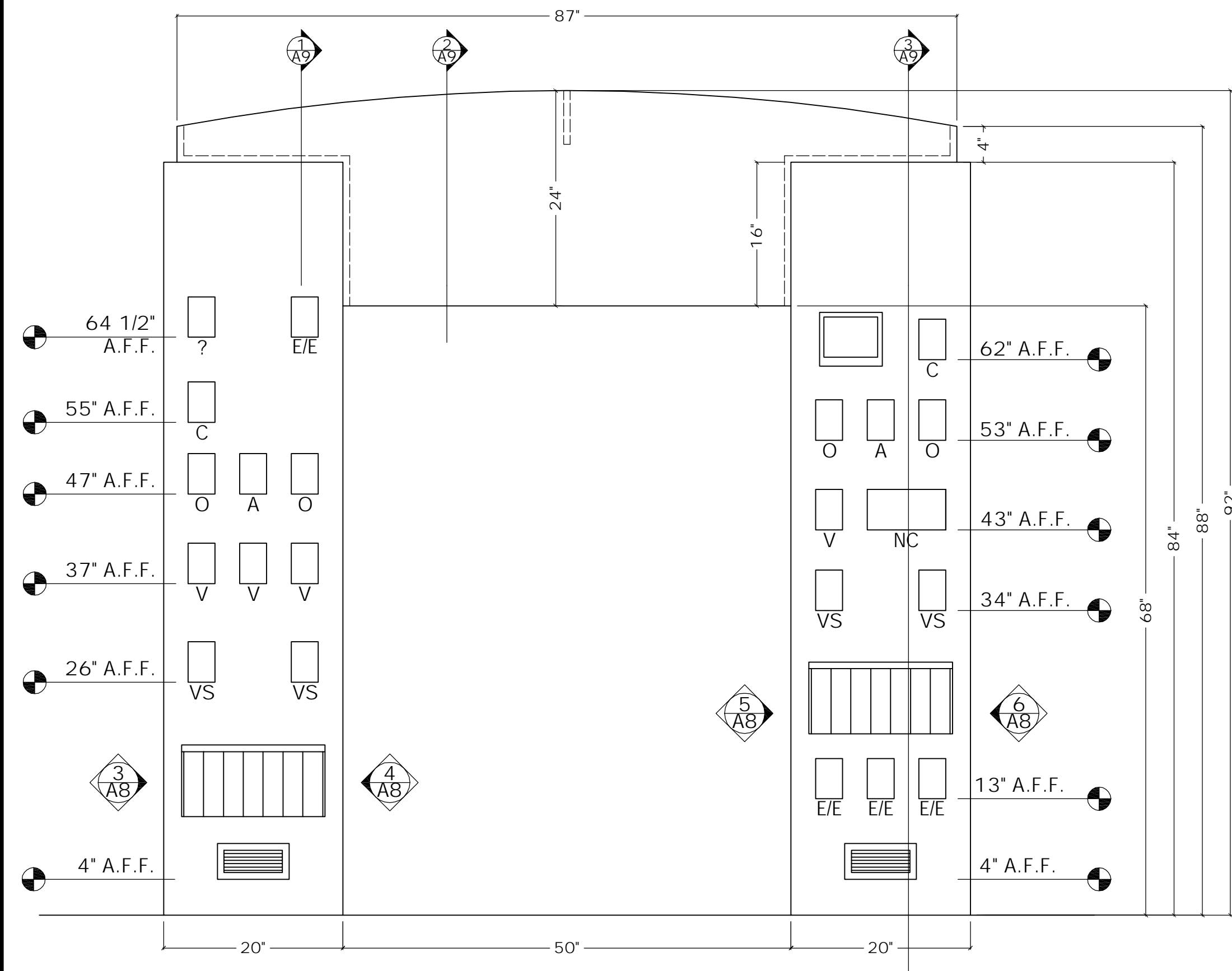
1 ELEVATION  
SCALE: 1/2" = 1'-0"



2 ELEVATION  
SCALE: 1/2" = 1'-0"

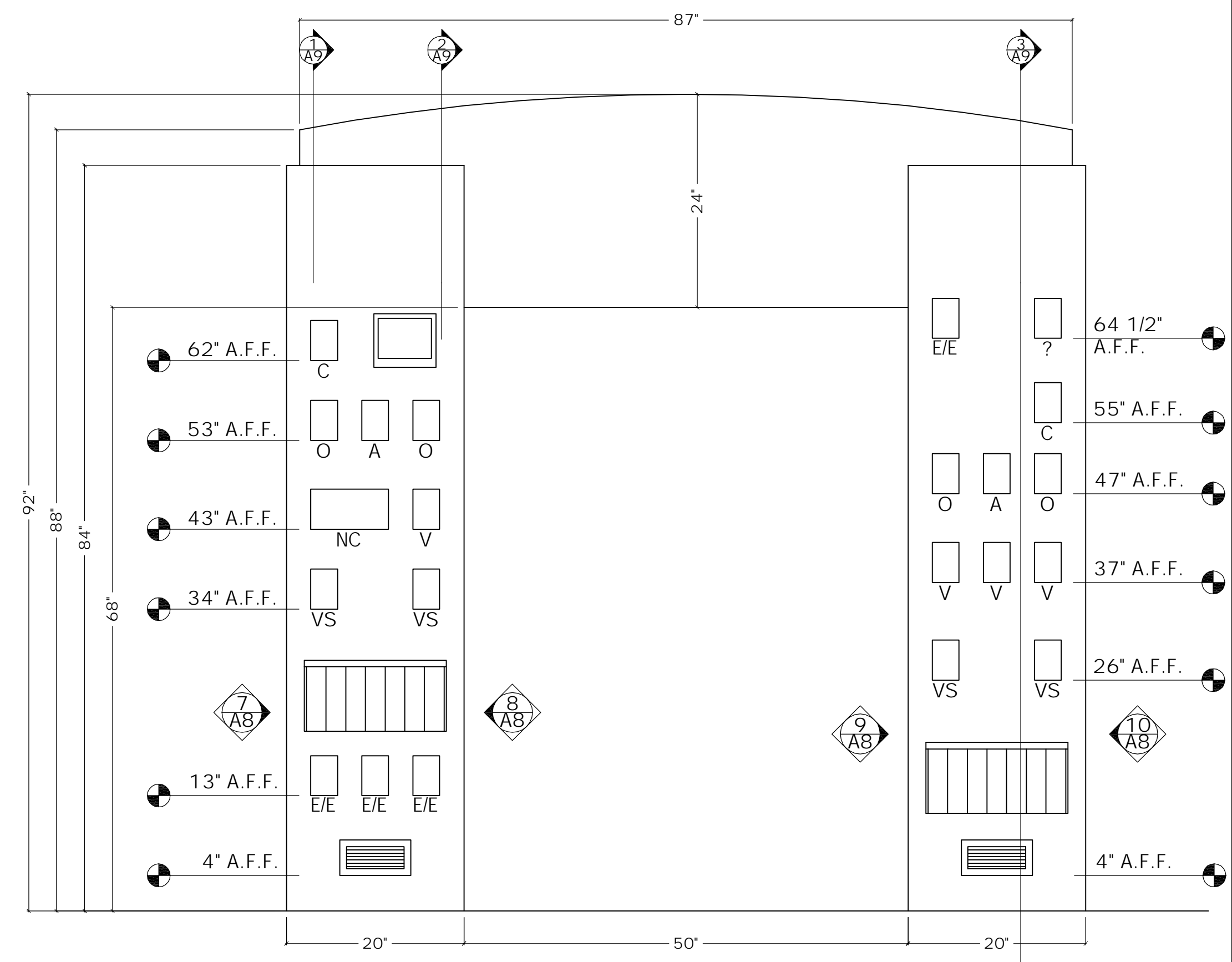


3 SECTION  
SCALE: 1 1/2" = 1'-0"

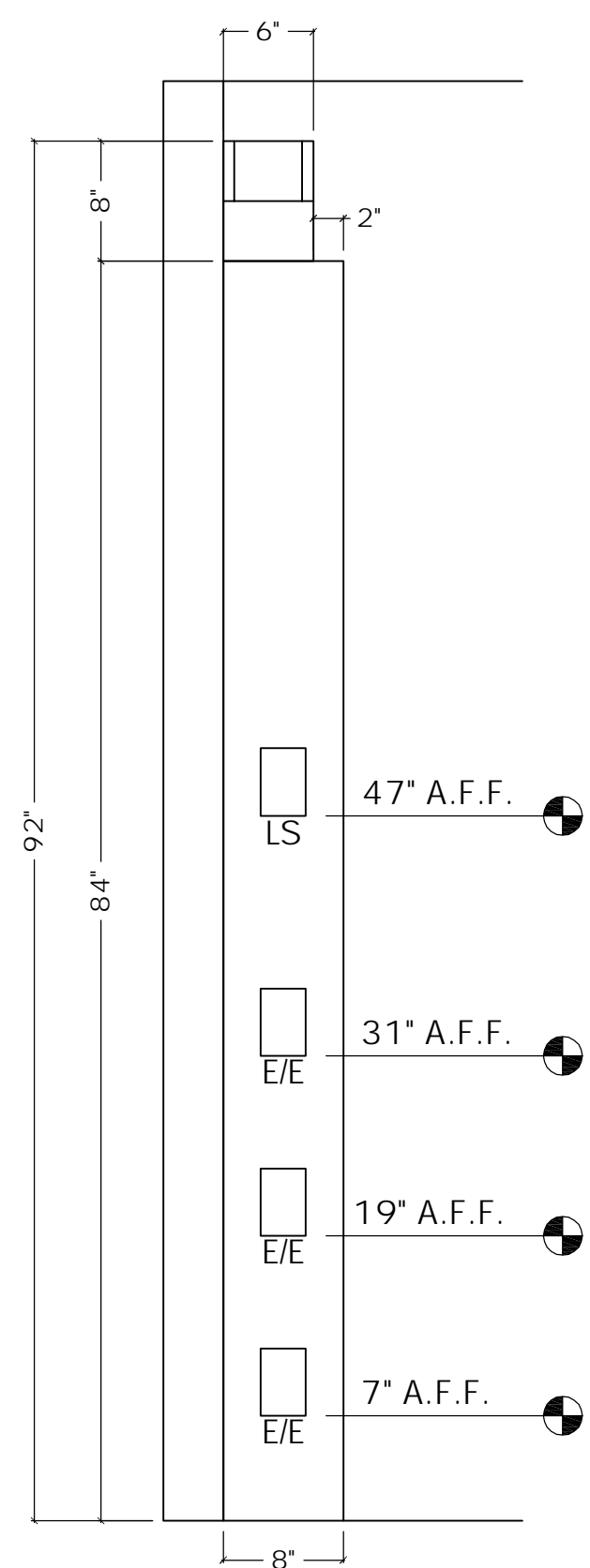


**1 ELEVATION**  
SCALE: 1" = 1'-0"

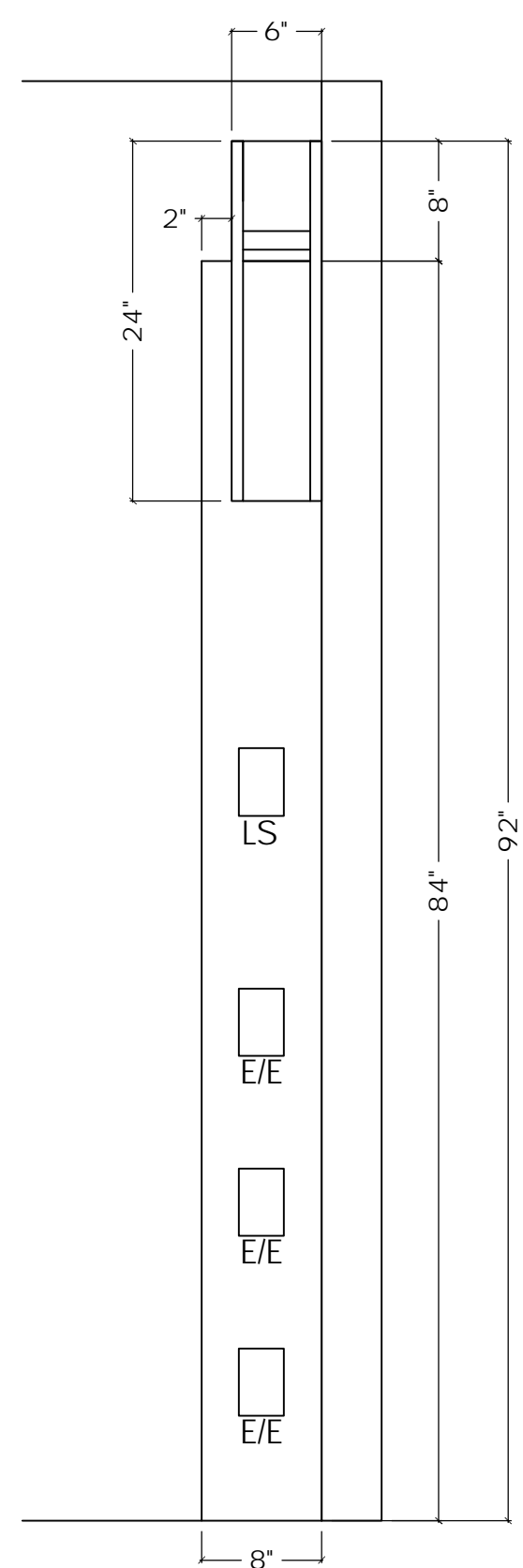
NOTE:  
VERIFY CUTOUT LOCATION WITH G.C.  
CUT OUT TEMPLATES TO BE  
PROVIDED BY G.C.



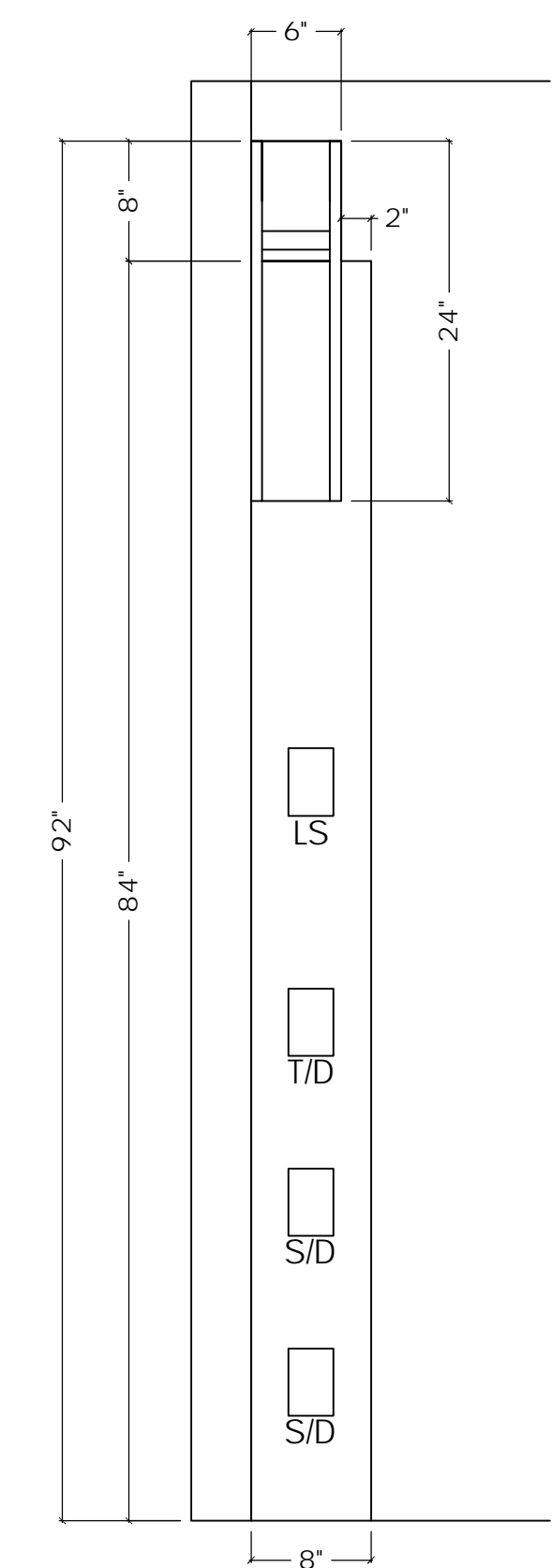
**2 ELEVATION**  
SCALE: 1" = 1'-0"



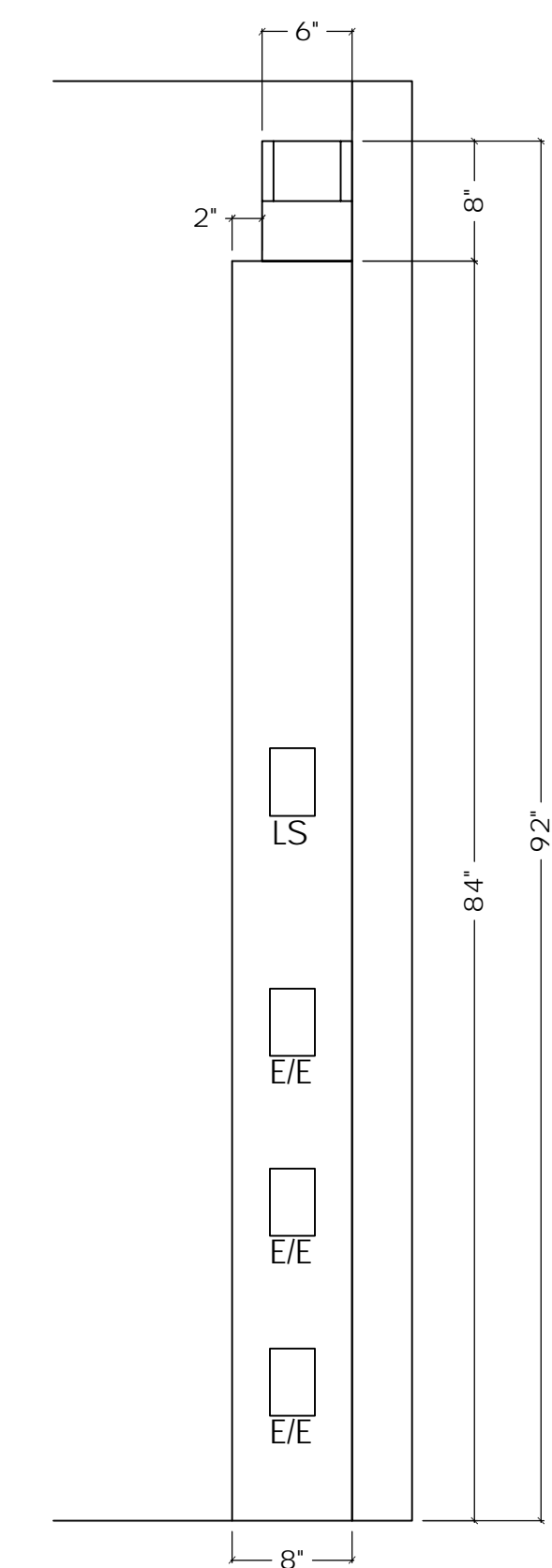
**3 ELEVATION**  
SCALE: 1" = 1'-0"



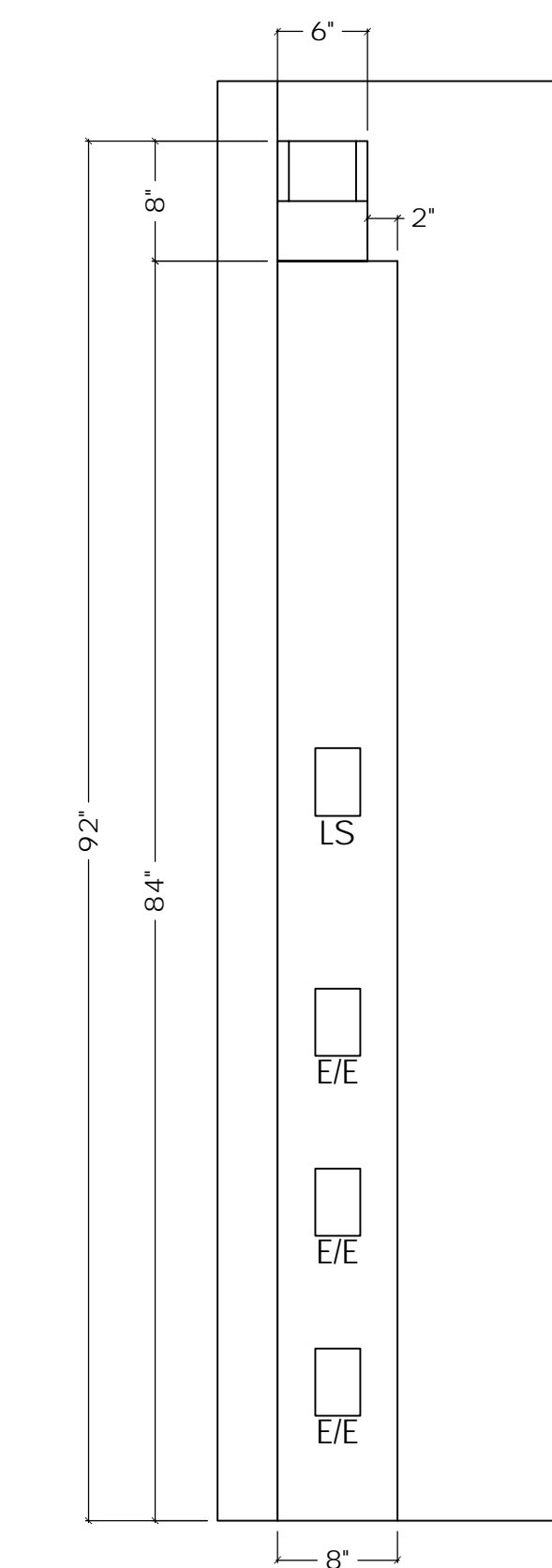
**4 ELEVATION**  
SCALE: 1" = 1'-0"



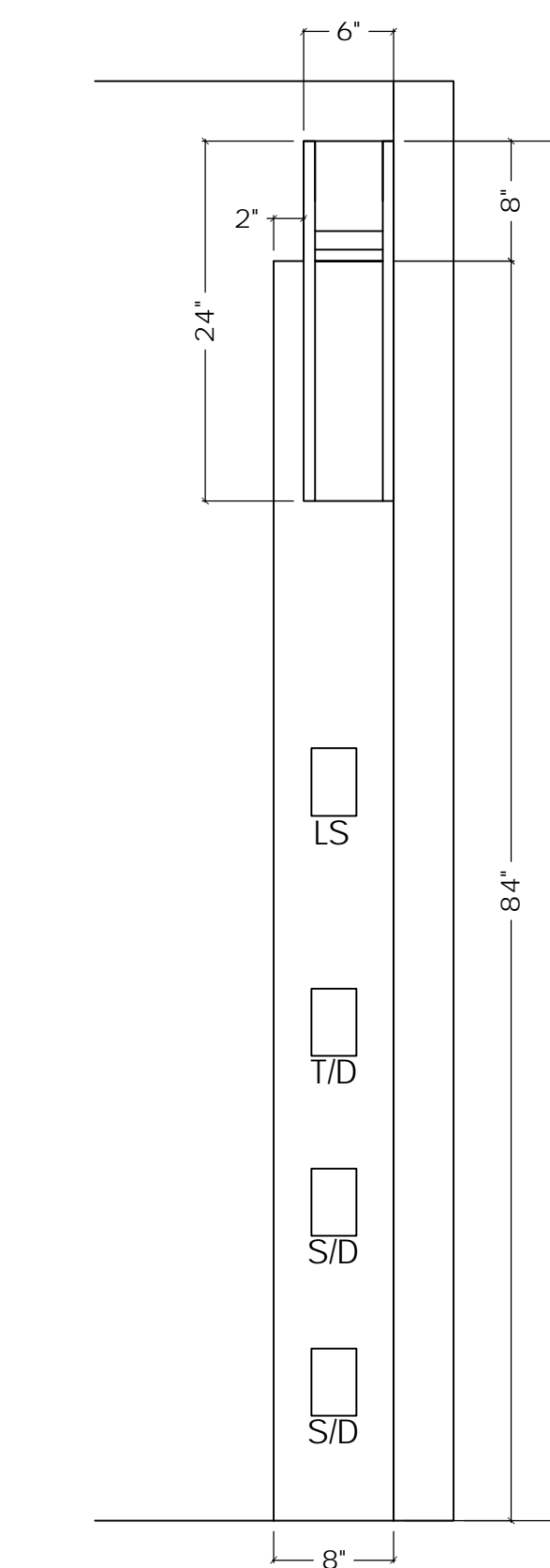
**5 ELEVATION**  
SCALE: 1" = 1'-0"



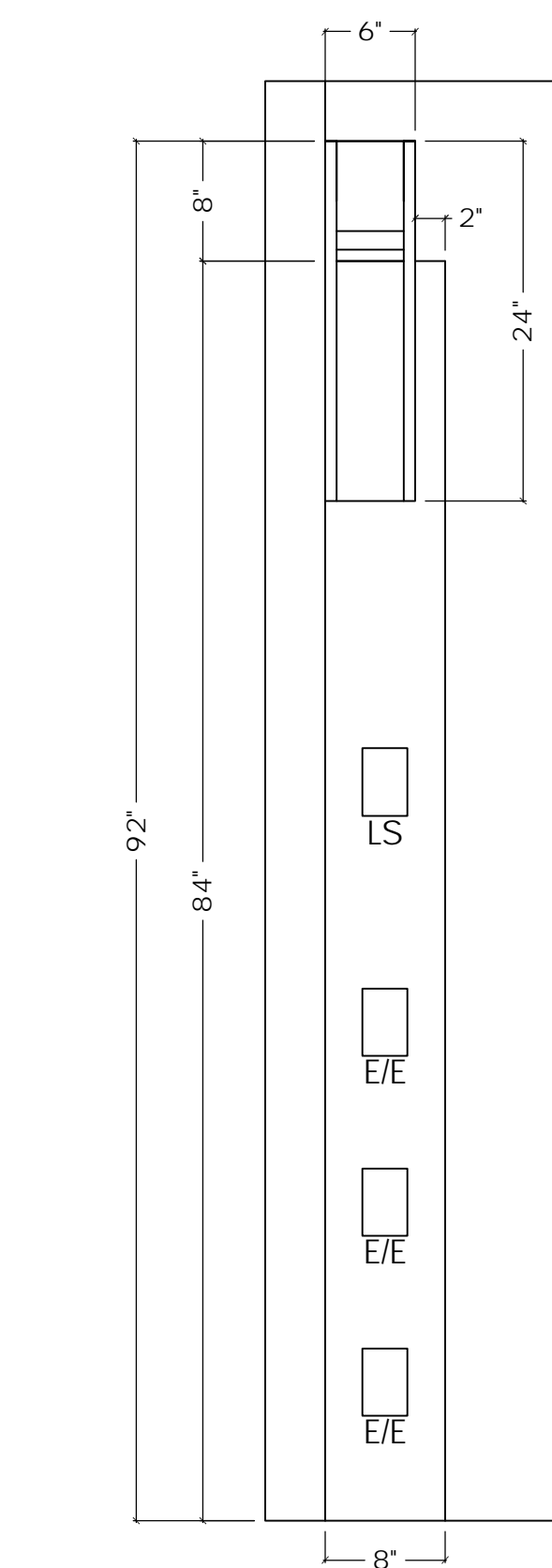
**6 ELEVATION**  
SCALE: 1" = 1'-0"



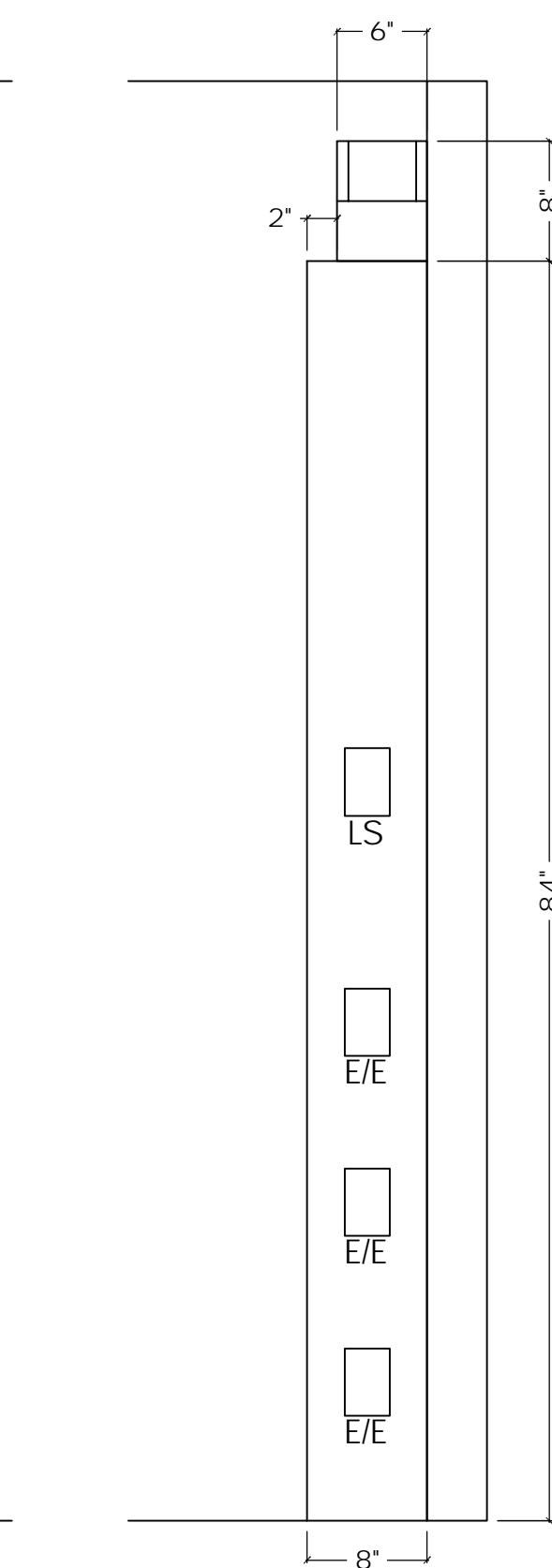
**7 ELEVATION**  
SCALE: 1" = 1'-0"



**8 ELEVATION**  
SCALE: 1" = 1'-0"



**9 ELEVATION**  
SCALE: 1" = 1'-0"



**10 ELEVATION**  
SCALE: 1" = 1'-0"

Your Logo  
Here

ARCHITECTS

CONTRACTOR

Project Name

ICU/CCU EXPANSION

PROJECT

CASEWORK  
DETAILS

DATE	FILE
01/26/04	brmc.dwg

DRAWN BY

A8

Your Logo Here

ARCHITECTS

CONTRACTOR

Project Name  
ICU/CCU EXPANSION

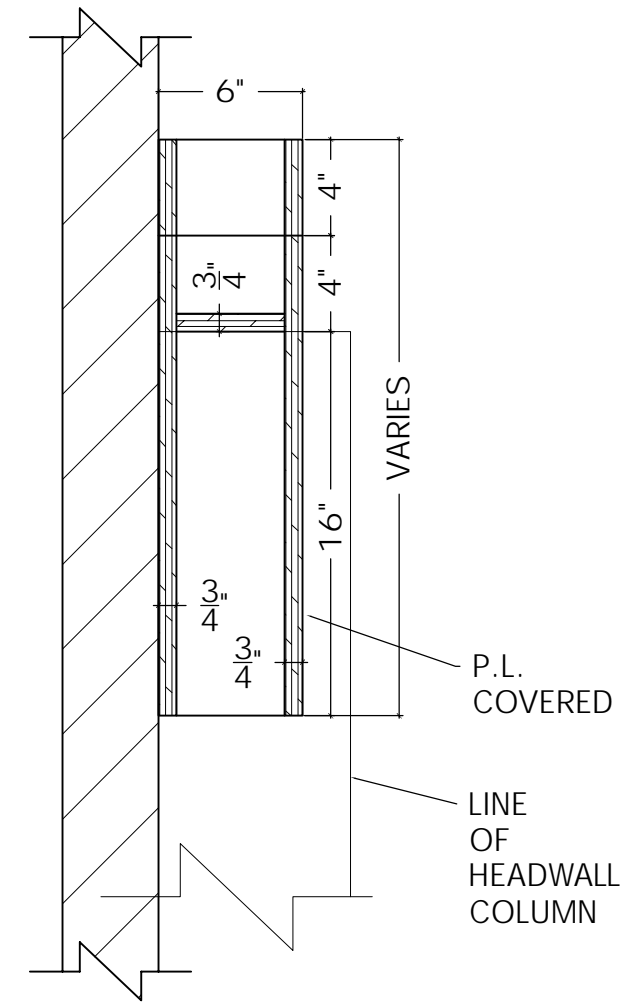
PROJECT

CASEWORK DETAILS

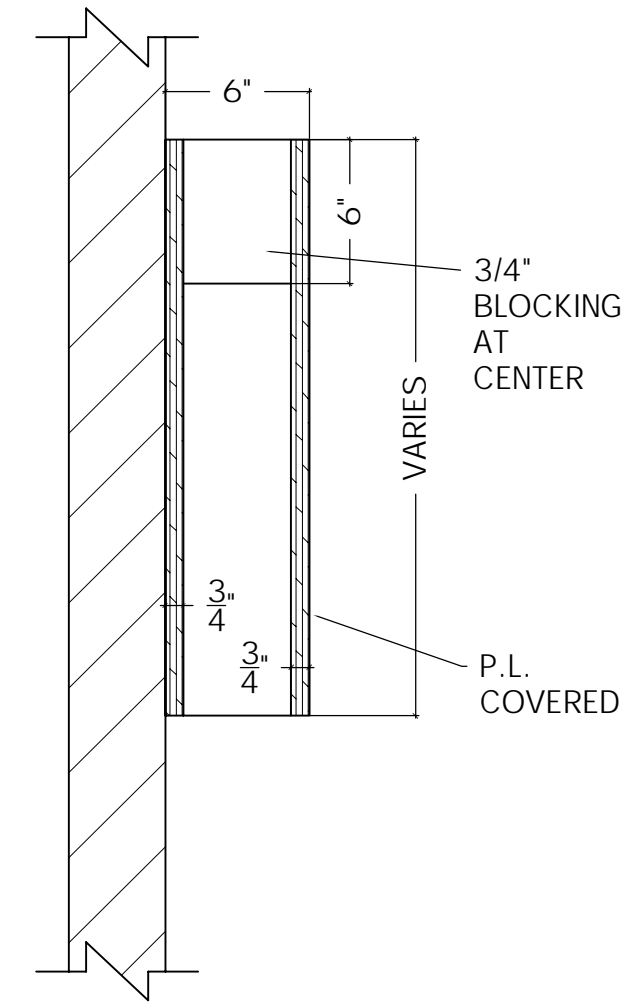
DATE	FILE
01/26/04	brmc.dwg

DRAWN BY

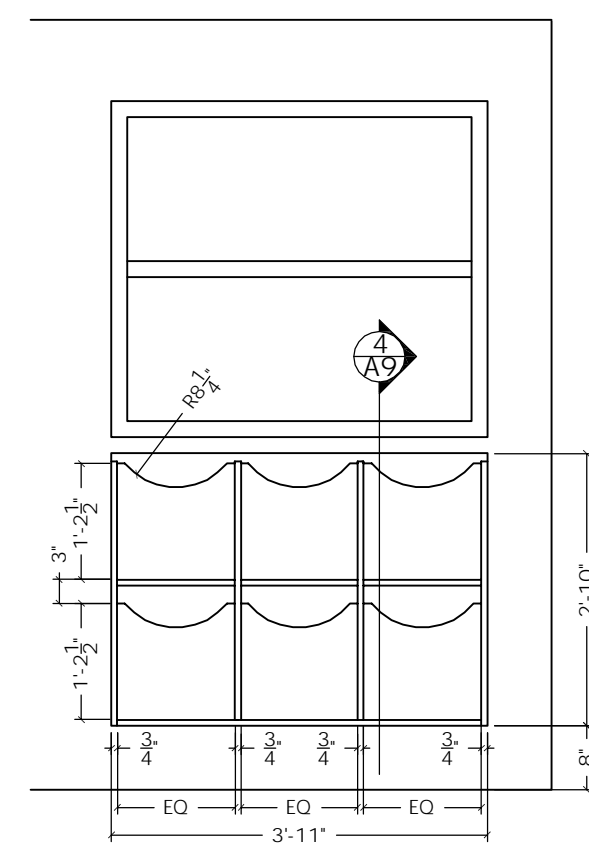
A9



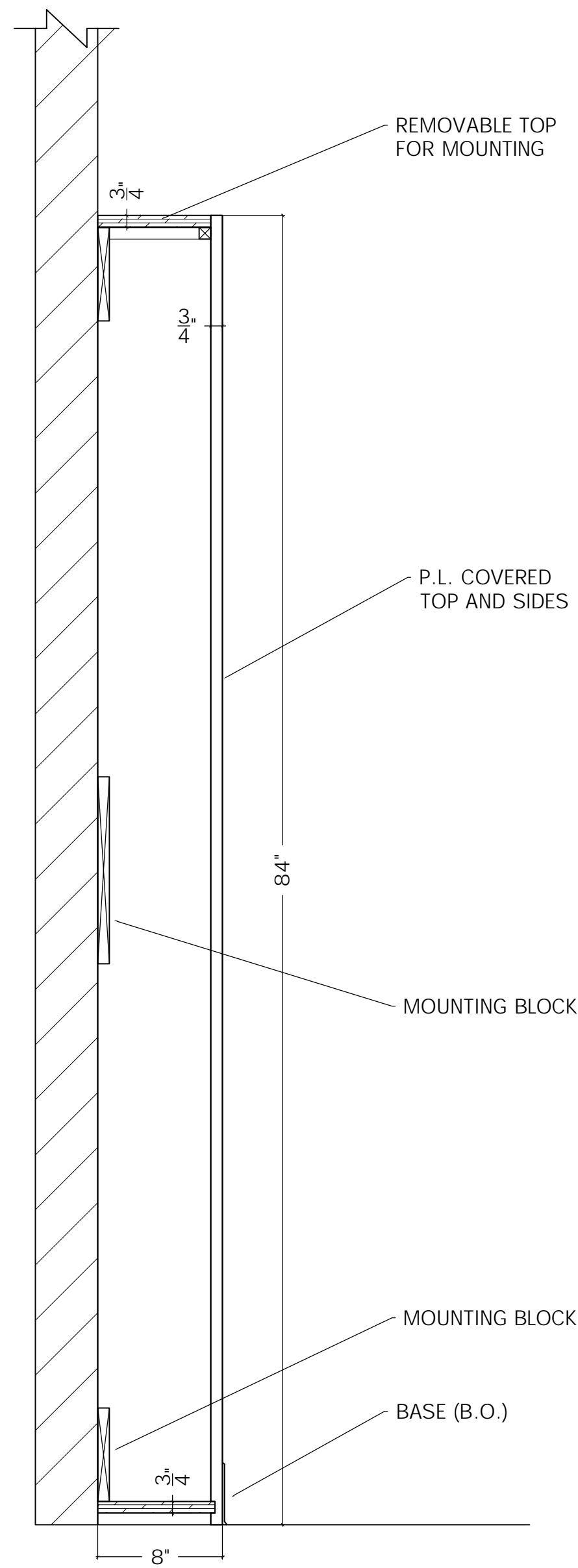
1 SECTION  
SCALE: 1 1/2" = 1'-0"



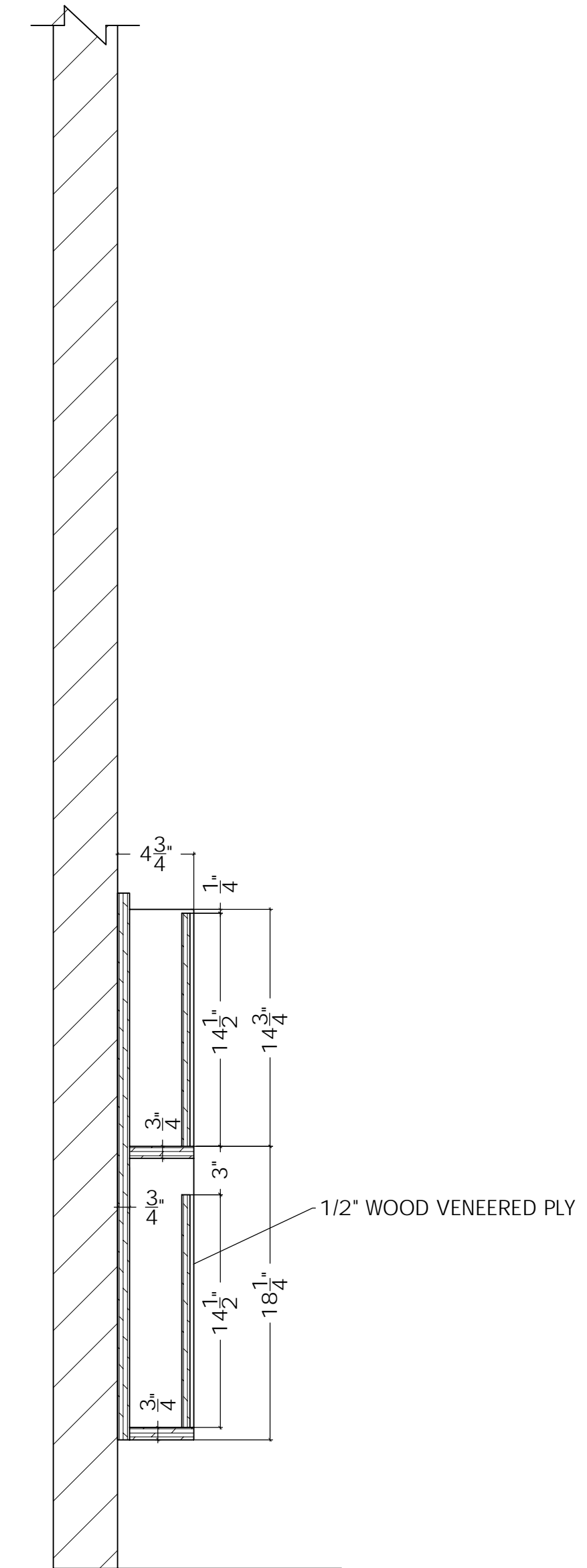
2 SECTION  
SCALE: 1 1/2" = 1'-0"



X-RAY BINS DICTATION  
ROOM #302  
SCALE: 1/2" = 1'-0"



3 SECTION  
SCALE: 1 1/2" = 1'-0"



4 SECTION  
SCALE: 1 1/2" = 1'-0"